

PARAMOUNT PRODUCTS

CARGO CONTROL EQUIPMENT



2011 CATALOG

Premium Performance. Competitive Prices.

Paramount Products was founded on the core principles of successful business operations. We start with the finest raw materials available, utilize innovative design and precise manufacturing processes, and work tirelessly to provide the highest quality cargo control products to the transportation industry at extremely competitive prices.

Our webbing is constructed from advanced, high-performance polyester or nylon with premium quality hardware that is designed, engineered and built to ensure the security and integrity of your cargo from your location to delivery at its final destination. Above all else, safety and security remain our top priorities, and we strive for 24-hour order fulfillment with a wide variety of timely, cost-efficient shipping options.

The only thing that rivals the quality and performance of Paramount Products is our unwavering commitment to customer service and an uncompromising dedication to offering cost-effective solutions that meet the individual needs of our customers. We are constantly developing new products to address the ever-changing demands of our industry, and we'll also will work with you to create custom products just for your application.

From our factories and warehouses to our sales and customer service staff, we're here to help make your job easier and to enhance your company's bottom line profitability. We look forward to hearing from you soon!

How to Order

Placing an order is easy! Our friendly, knowledgeable customer service reps are ready to work with you from 8am-5pm (CST) Monday-Friday. Simply call 1-972-703-8326 and one of our account managers will take care of all your needs. You can also fax your order to 1-972-703-8332, or place an order via email at orders@paramountcargocontrol.com.

Payment Options

We accept Visa, MasterCard, American Express and company checks. You can also open a line of credit with us by contacting our customer service department and submitting a credit application. As soon as your credit application is approved, we're ready to take your order.

Color-Coded Product Sections

FLATBED SOLUTIONS

Turck Winches & Winch Track	1-4
Winch Bars	5-6
Chain Assemblies	7
G70 Transportation Chain	7
G70 Grab Hooks	7
Chain Binders	8
Floor Chain Tiedown	8
Flame Cut Hook	9
Coil Rack	9
Rubber Tie Downs	9
Strap Winders	10
Corner Protectors	10
Heavy Duty Winch Straps	11
Emerald Webbing Heavy Duty Winch Straps	12
Roll-Off Container Straps	12
Heavy Duty Ratchet Straps	13-14
Emerald Webbing Heavy Duty Ratchet Straps	15-16
Ratchet Strap Replacements	15
1" Utility Tiedowns	17

INTERIOR VAN SOLUTIONS

Ratchet Buckle Logistic Straps	18
Logistic Straps	19
Series E or A Aluminum Beams	20
Series E or A Steel Beams	20
Beam Parts & Accessories	20
Cargo Bars	21
Cargo Bar Parts	21
Jack Bars	22
Jack Bar Parts	22
Series A Logistic Track	23
Series E Logistic Track	24
Series L Aluminum Logistic Track	24
Interior Van Accessories	25

AUTO TIEDOWNS

Axle Straps	26
Wheel Nets	26
Auto Tiedowns	26

HARDWARE

Ratchet Buckles	27-28
Overcenter Buckles	28-29
Cam Buckles	29
Flat Hooks	30
Snap Hooks	30-31
Roll-Off Hook	31
Cluster RTJ Hook	31
S-Hooks	31
Wire Hooks	32
Slide Buckle	32
Web Adjuster	32
D-Rings	33
Forged Delta Rings	34
Round-Rings	34
Chain Anchors	34
Logistic Strap Fittings	35

WEBBING

General Webbing	36
Paramount Emerald Webbing	36

GENERAL INFORMATION

GENERAL INFORMATION	37
---------------------	----

INDEX BY PART NUMBER

INDEX BY PART NUMBER	38
----------------------	----

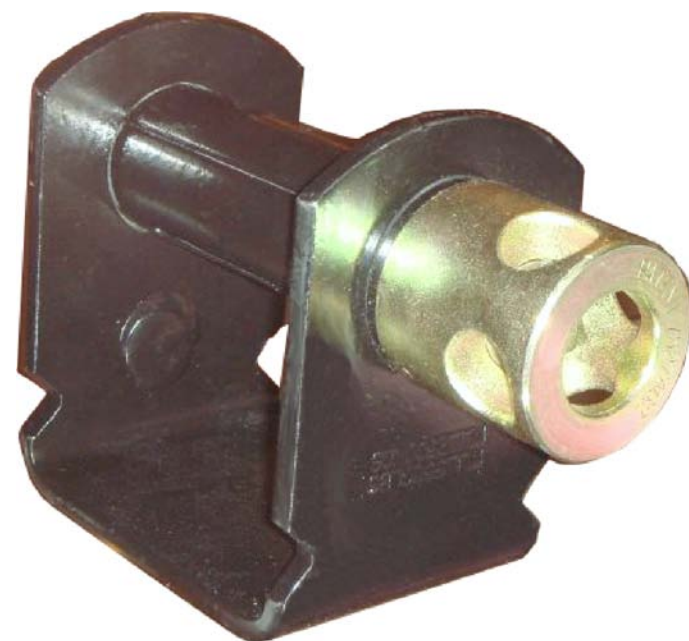
HOW TO USE THIS CATALOG

HOW TO USE THIS CATALOG	39
-------------------------	----



Winches are critical to the safety of hauling cargo. With straps or cable they can secure nearly every kind of load, allowing for the periodic tightening as needed.

They function in all types of weather and rarely falter. To properly maintain winches, a quick inspection before each use is required and will help insure they are undamaged and working properly.



Gold Cap Ratchet Winch

Paramount Products' Gold Cap Ratchet Winch eliminates the need to remove the winch bar with every turn as the cargo straps are tightened to secure your valuable cargo. It not only saves time and effort, but helps prevent bar slippage and kick-back as well. It performs just like a ratcheting socket wrench.

The Gold Cap Ratchet Winch is zinc plated for rust and corrosion resistance. It is available in weld-on, bolt-on and slider configurations. Right-hand models are standard and left-hand models are available on special request.

All of the Gold Cap Ratchet Winches comply with WSTDA-T3 standard.

Golden Ratchet Cap Winches



PP3309
4" Ratchet Cap Standard Weld-On Winch
Working Load Limit: 5,500 lbs.
Breaking Strength: 16,500 lbs.
Weight: 9.9 lbs./4.52kgs.



PP3313
4" Ratchet Cap Portable Winch with 2 set screws
Working Load Limit: 5,500 lbs.
Breaking Strength: 16,500 lbs.
Weight: 10.6 lbs./4.79kgs.



PP3325
4" Ratchet Cap Slider Winch
Working Load Limit: 5,500 lbs.
Breaking Strength: 16,500 lbs.
Weight: 10.3 lbs./4.68kgs.

Note: Standard winches can easily be converted to a Gold Cap Ratchet Winch configuration, allowing you to enjoy all of the performance and safety advantages that the Gold Cap Winches have to offer.

3 - Bar - Designed for easy strap insertion during snow and ice conditions, prevents the mandrel from freezing up.

Portable - Winches can be placed anywhere along the trailer side channel.

Spool - Designed to reduce strap wear, spool discs guide and store the webbing into a single roll up to 30'.

Double Cap - Incremental adjustment from both sides of the winch allows for low clearance applications.

Slide - Allows for easy positioning in a track, but lock into place when tension is applied to the strap. It can also be welded for a fixed application.

Combination - Designed to be used with cable or webbing.

Weld-on Webbing Winches



PP3008
4" Low Profile Weld-on Winch
Working Load Limit: 5,500 lbs.
Breaking Strength: 16,500 lbs.
Weight: 8.0 lbs./3.64kgs.



PP3009
4" Standard Weld-on Winch
Working Load Limit: 5,500 lbs.
Breaking Strength: 16,500 lbs.
Weight: 8.7 lbs./3.96kgs.



PP3010
4" High Profile Weld-on Winch
Working Load Limit: 5,500 lbs.
Breaking Strength: 16,500 lbs.
Weight: 9.2 lbs./4.20kgs.



PP3011
4" Storable Weld-on Winch
Working Load Limit: 5,500 lbs.
Breaking Strength: 16,500 lbs.
Weight: 8.8 lbs./4.4kgs.



PP3022
2" Disk Weld-on Winch
Working Load Limit: 3,333 lbs.
Breaking Strength: 10,000 lbs.
Weight: 13.1 lbs./6.0kgs.



PP3023
3" Disk Weld-on Winch
Working Load Limit: 4,000 lbs.
Breaking Strength: 12,000 lbs.
Weight: 13.1 lbs./6.0kgs.



PP3024
4" Disk Weld-on Winch
Working Load Limit: 5,500 lbs.
Breaking Strength: 16,500 lbs.
Weight: 13.1 lbs./6.0kgs.

Portable Webbing Winches

Set screws on portable winches are designed to position the winch while the tie-down assembly is being tightened. They should only be snug tight. Over tightening of screws may cause the bracket to bend, weakening the winch and causing it to fail. Portable winches should be removed and stored when not in use.



PP3012
4" Low Profile Portable Winch w/ 2 set screws
Working Load Limit: 5,500 lbs.
Breaking Strength: 16,500 lbs.
Weight: 9.6 lbs./4.36 kgs.



PP3013
4" Standard Portable Winch w/ 2 set screws
Working Load Limit: 5,500 lbs.
Breaking Strength: 16,500 lbs.
Weight: 9.2 lbs./4.20 kgs.



PP3014
4" High Profile Portable Winch w/ 2 set screws
Working Load Limit: 5,500 lbs.
Breaking Strength: 16,500 lbs.
Weight: 9.6 lbs./4.36 kgs.

Slider Webbing Winches



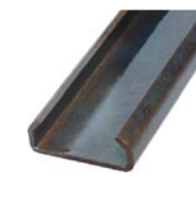
PP3025
4" Standard Slider Winch
Working Load Limit: 5,500 lbs.
Breaking Strength: 16,500 lbs.
Weight: 9.1 lbs./4.12kgs.



PP3026
4" High Profile Slider Winch
Working Load Limit: 5,500 lbs.
Breaking Strength: 16,500 lbs.
Weight: 9.7 lbs./4.4 kgs.



PP3027
4" Storable Slider Winch
Working Load Limit: 5,500 lbs.
Breaking Strength: 16,500 lbs.
Weight: 10.3 lbs./4.7 kgs.



PP3201
1/4" Steel Winch Track 6' Length, Oiled
Weight: 39.0 lbs./17.7kgs.

Double "L" Slider Webbing Winches



PP3051
4" Standard Double LTrack Winch
Working Load Limit: 5,500 lbs.
Breaking Strength: 16,500 lbs.
Weight: 8.1 lbs./3.7 kgs.

- PP3051** E-Coating Black
- PP3051HDG** Hot Dip Galvanized
- PP3051ZP** Zinc Clear



PP3054
4" Low Profile Double L Track Winch
Working Load Limit: 5,500 lbs.
Breaking Strength: 16,500 lbs.
Weight: 7.9 lbs./3.6 kgs.



PP3056
4" Storable Double LTrack Winch
Working Load Limit: 5,500 lbs.
Breaking Strength: 16,500 lbs.
Weight: 10.3 lbs./4.7 kgs.

- PP3056** E-Coating Black
- PP3056HDG** Hot Dip Galvanized



PP3202
Double "L" Aluminum Winch Track 10' Length
Weight: 16.4 lbs./7.45 kgs.

3-Bar Winches

The unique 3-bar winch reel design allows for easy strap insertion, even when strap ends are frayed or slots have ice build-up.



PP3046
4" Low Profile Weld-on 3-Bar Winch
Working Load Limit: 5,500 lbs.
Breaking Strength: 16,500 lbs.
Weight: 12.3 lbs./5.58 kgs.



PP3047
4" Standard Weld-on 3-Bar Winch
Working Load Limit: 5,500 lbs.
Breaking Strength: 16,500 lbs.
Weight: 13.2 lbs./5.98 kgs.



PP3052
4" Double LTrack 3-Bar Winch
Working Load Limit: 5,000 lbs.
Breaking Strength: 16,500 lbs.
Weight: 12.5 lbs./5.7 kgs.

Combination Winches

Double-duty combination winches are designed to be used with webbing or wire cable.



PP3048
4" Low profile Weld-on Combination Winch
Working Load Limit: 5,500 lbs./Webbing
3,335 lbs./Cable
Breaking Strength: 16,500 lbs./Webbing
10,000 lbs./Cable
Weight: 9.7 lbs./4.4 kgs.



PP3049
4" Standard Weld-on Combination Winch
Working Load Limit: 5,500 lbs./Webbing
3,335 lbs./Cable
Breaking Strength: 16,500 lbs./Webbing
10,000 lbs./Cable
Weight: 10.6 lbs./4.8 kgs.



PP3050
4" Weld-on Combination Box Winch
Working Load Limit: 5,500 lbs./Webbing
3,335 lbs./Cable
Breaking Strength: 16,500 lbs./Webbing
10,000 lbs./Cable
Weight: 11.9 lbs./5.4 kgs.



PP3053
4" Combination Double LTrack Winch
Working Load Limit: 5,000 lbs./Webbing
3,335 lbs./Cable
Breaking Strength: 15,000 lbs./Webbing
10,000 lbs./Cable
Weight: 9.9 lbs./4.5 kgs.



PP3032
4" Weld-on 2-pc Leg Bracket Combination Winch
Working Load Limit: 5,500 lbs./Webbing
3,335 lbs./Cable
Breaking Strength: 16,500 lbs./Webbing
10,000 lbs./Cable
Weight: 6.8 lbs./3.1 kgs.

Lashing Winches

The lashing winch can be welded or bolted in place like a standard winch, yet offers the quick release and easy operation of a ratchet buckle.



PP3003
2" Lashing Winch w/Hex Head On Right
Working Load Limit: 3,333 lbs.
Breaking Strength: 10,000 lbs.
Weight: 3.4 lbs./1.55 kgs.



PP3004
2" Lashing Winch w/Round Head
Working Load Limit: 3,333 lbs.
Breaking Strength: 10,000 lbs.
Weight: 3.4 lbs./1.55 kgs.

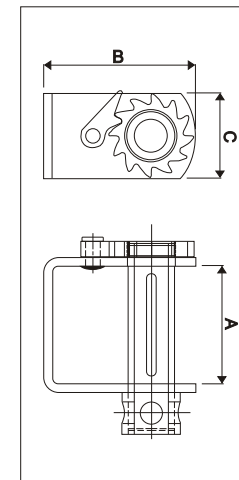


PP3005
2" Lashing Winch w/Hex Head On Left
Working Load Limit: 3,333 lbs.
Breaking Strength: 10,000 lbs.
Weight: 3.4 lbs./1.55 kgs.

Damaged or non-functional winches must be replaced immediately. For best performance, winches should be cleaned to remove dirt, mud, salt, and ice. Lubrication ensures that the winch pawl will drop freely into the gear teeth, and the gear will rotate freely.

When not in use, portable winches should be cleaned and stored in a dry location. With proper maintenance, your winches will perform a very long time, safely and effectively.

Winch Dimensions



Item No.	A Spool Width (inches)	B Frame Height (inches)	C Frame Depth (inches)
PP3003	2 1/8	4	3
PP3004	2 1/8	4	3
PP3005	2 1/8	4	3
PP3008	4 7/8	4 3/8	4
PP3009	4 7/8	5 1/2	3 1/2
PP3010	4 7/8	6 1/8	3 1/2
PP3011	4 7/8	6 1/2	3 1/2
PP3012	4 7/8	4 3/8	4
PP3013	4 7/8	5 1/2	3 1/2
PP3014	4 7/8	6 1/8	3 1/2
PP3022	4 7/8	6 1/2	3 1/2
PP3023	4 7/8	6 1/2	3 1/2
PP3024	4 7/8	6 1/2	3 1/2
PP3025	4 7/8	6	4
PP3026	4 7/8	6 7/8	4
PP3027	4 7/8	7 3/4	4
PP3032	6 1/2	3 3/4	4 3/4

Item No.	A Spool Width (inches)	B Frame Height (inches)	C Frame Depth (inches)
PP3046	6 1/2	4 1/4	4
PP3047	6 1/2	5 1/2	4
PP3048	6 1/2	4 3/8	4
PP3049	6 1/2	5 3/4	3 1/2
PP3050	9 1/2	5 1/2	4
PP3051	4 7/8	5 7/8	3 3/8
PP3052	6 1/2	5 3/8	3 3/8
PP3053	6 1/2	6 1/4	3
PP3051HDG	4 7/8	5 7/8	3 3/8
PP3054	4 7/8	5 3/8	3 3/8
PP3056	4 7/8	6 7/8	3 3/8
PP3056HDG	4 7/8	6 7/8	3 3/8
PP3051ZP	4 7/8	5 7/8	3 3/8
PP3309	4 7/8	5 1/2	3 1/2
PP3313	4 7/8	5 1/2	3 1/2
PP3325	4 7/8	6	4

Warning: When tightening or loosening winches, always maintain a firm grip on the winch bar. Never release a winch bar without checking the pawl to ensure that it is fully engaged between ratchet teeth. Releasing a winch bar without the pawl being properly engaged can cause serious injury to the user or bystanders. The use of slip resistant handle winch bar, specifically designed to tighten or loosen winches, is recommended. Winch bars should be used to tension and release tie-down assemblies. Use of any unspecified leverage increasing device, such as a cheater bar, can generate enough force to break a piece of cargo control equipment. The release of energy when a piece of cargo control equipment breaks can cause serious injury or death to you or bystanders. User should stand clear of the winch bar handle during operation of the winch bar in case the winch bar slips. The tip of the winch bar should be inserted through both holes in the end cap to prevent the winch bar from "slipping out" and overloading the tip and/or end cap. Winches should not be loaded in excess of their working load limit. Winches should not be used as a pulling or lifting device. A minimum of 12" of webbing should be inserted through the slot, and a minimum of two (2) wraps should be on the winch mandrel.



Ratcheting Winch Bars

Paramount Products' NEW DESIGN

Save time and prevent injuries. With our New Patent Pending Design, our bars are lighter, more durable, and best of all **LESS EXPENSIVE!**

Instead of having to insert the winch bar several times, you simply insert the ratcheting winch bar drive shaft into the winch and lock it with the included release pin.

Ratcheting Winch Bars



PP3101 Chrome
PP3102 E-coating Black
Weight: 6.6 lbs./3.0 kgs.

Combination Ratcheting Winch Bars



PP3103 Chrome
PP3104 E-coating Black
Weight: 6.6 lbs./3.0 kgs.



Paramount Products' Winch Bars are redesigned to include a carbon steel tip with safety collar. Tapered and angled at the end, Paramount Products' Winch Bars are knurled, heat treated, cycle tested, and proof loaded to insure that you will enjoy many years of heavy use.

Standard Winch Bars



PP3106
Standard Winch Bar Chrome w/Safety Collar
Weight: 5.3 lbs./2.4 kgs.



PP3107
Standard Winch Bar Black w/Safety Collar
Weight: 5.3 lbs./2.4 kgs.



Combination Winch Bars



PP3108
Combination Winch Bar Chrome w/Safety Collar
Weight: 6.6 lbs./3.0 kgs.



PP3109
Combination Winch Bar Black w/Safety Collar
Weight: 6.6 lbs./3.0 kgs.



PP3110
Combination Winch Bar w/Tube & Safety Collar, Chrome
Weight: 6.0 lbs./2.7 kgs.

Warning: When tightening or loosening winches, always maintain a firm grip on the winch bar. Never release a winch bar without checking the pawl to ensure that it is fully engaged in the ratchet teeth. Releasing a winch bar without the pawl being properly engaged can cause serious injury to the user or bystanders. "Cheater Bars" (extender) are not to be used with the winch bars. User should stand clear of the winch bar handle during operation in case the winch bar slips. The tip of the winch bar should be inserted through both holes in the end cap to prevent the winch bar from slipping out and overloading.



Paramount Products' Grade 70 Short Link Chain meets all industry standards for transport chain, including FMCSA, DOT, and NACM.

Note: As per NACM, all Breaking Strengths for chain and chain accessories are four times the amount of the Working Load Limit.

Chain Assemblies



Item No.	Chain Size	Length	Working Load Limit	Breaking Strength	Weight
PP5050	5/16"	16'	4,700 lbs./2,135 kgs.	18,800 lbs./8,530 kgs.	17.2 lbs./7.8 kgs.
PP5052	3/8"	16'	6,600 lbs./3,000 kgs.	26,400 lbs./12,000 kgs.	25.0 lbs./11.5 kgs.
PP5054	1/2"	16'	11,300 lbs./5,126 kgs.	45,200 lbs./20,504 kgs.	44.0 lbs./20.0 kgs.
PP5056	5/16"	20'	4,700 lbs./2,135 kgs.	18,800 lbs./8,530 kgs.	22.0 lbs./10.0 kgs.
PP5058	3/8"	20'	6,600 lbs./3,000 kgs.	26,400 lbs./12,000 kgs.	32.0 lbs./14.5 kgs.
PP5060	1/2"	20'	11,300 lbs./5,126 kgs.	45,200 lbs./20,504 kgs.	55.0 lbs./25.0 kgs.
PP5062	5/16"	25'	4,700 lbs./2,135 kgs.	18,800 lbs./8,530 kgs.	26.0 lbs./12.0 kgs.
PP5064	3/8"	25'	6,600 lbs./3,000 kgs.	26,400 lbs./12,000 kgs.	40.0 lbs./18.0 kgs.
PP5066	1/2"	25'	11,300 lbs./5,126 kgs.	45,200 lbs./20,504 kgs.	66.0 lbs./30.0 kgs.

Chain With Grab Hooks also available in A Barrel

Item No.	Chain Size	Length	Quantity	Item No.	Chain Size	Length	Quantity	Item No.	Chain Size	Length	Quantity
PP5050-16BRL	5/16"	16'	30 pcs.	PP5052-16BRL	3/8"	16'	25 pcs.	PP5054-16BRL	1/2"	16'	12 pcs.
PP5056-20BRL	5/16"	20'	25 pcs.	PP5058-20BRL	3/8"	20'	20 pcs.	PP5060-20BRL	1/2"	20'	10 pcs.
PP5062-25BRL	5/16"	25'	20 pcs.	PP5064-25BRL	3/8"	25'	15 pcs.				

G70 Transportation Chain



Item No.	Chain Size	Length	Working Load Limit	Breaking Strength
PP5051	5/16"	550' in Bulk	4,700 lbs./2,135 kgs.	18,800 lbs./8,530 kgs.
PP5053	3/8"	400' in Bulk	6,600 lbs./3,000 kgs.	26,400 lbs./12,000 kgs.
PP5055	1/2"	200' in Bulk	11,300 lbs./5,126 kgs.	45,200 lbs./20,504 kgs.

G70 Grab Hooks



Clevis Grab Hook with pin

Item No.	Chain Size	Working Load Limit	Weight
PP5029	1/4"	3,500 lbs.	0.36 lbs./0.16 kgs.
PP5030	5/16"	4,700 lbs.	0.62 lbs./0.28 kgs.
PP5032	3/8"	7,100 lbs.	1.0 lbs./0.45 kgs.
PP5034	1/2"	12,000 lbs.	2.22 lbs./1.01 kgs.



Warning: Chain and Chain Accessories are not to be used for lifting or towing.

Chain Binders

Paramount Products' Chain Binders are constructed of heavy duty material, and meet all DOT specifications. Standard ratchet binders are desired for precise tightening. Durable and adjustable, with Grade 70 short link transport chain, they meet the NACM standards for welded steel chain.



Ratchet Chain Binders

Item No.	Accepts Chain Size	Working Load Limit	Breaking Strength	Weight
PP5078	1/4" - 5/16"	2,600 lbs./1,182 kgs.	9,200 lbs./4,181 kgs.	3.52 lbs./1.6 kgs.
PP5080	5/16" - 3/8"	5,400 lbs./2,450 kgs.	19,000 lbs./8,636 kgs.	10.5 lbs./4.8 kgs.
PP5084	3/8" - 1/2"	9,200 lbs./4,180 kgs.	33,000 lbs./15,000 kgs.	12.9 lbs./5.9 kgs.
PP5085	1/2" - 5/8"	13,000 lbs./5,900 kgs.	46,000 lbs./20,900 kgs.	14.3 lbs./6.5 kgs.



Lever Chain Binders

Item No.	Accepts Chain Size	Working Load Limit	Breaking Strength	Weight
PP5079	1/4" - 5/16"	2,500 lbs./1,135 kgs.	8,800 lbs./4,000 kgs.	3.52 lbs./1.6 kgs.
PP5082	5/16" - 3/8"	5,400 lbs./2,450 kgs.	19,000 lbs./8,636 kgs.	8.37 lbs./3.8 kgs.
PP5086	3/8" - 1/2"	9,200 lbs./4,180 kgs.	33,000 lbs./15,000 kgs.	12.2 lbs./5.5 kgs.
PP5087	1/2" - 5/8"	11,000 lbs./5,000 kgs.	38,700 lbs./17,590 kgs.	19.7 lbs./8.9 kgs.



Recoilless Lever Chain Binders

Item No.	Accepts Chain Size	Working Load Limit	Breaking Strength	Weight
PP5088	5/16" - 3/8"	5,400 lbs./2,450 kgs.	19,000 lbs./8,636 kgs.	9.3 lbs./4.2 kgs.



Warning: Never over tension chain binders. Refer to product descriptions for proper tensioning accessories. Use of any unspecified leverage increasing device, such as a cheater bar, can generate enough force to break a piece of cargo control equipment. The release of energy when a piece of cargo control equipment breaks can cause serious injury or death to you or bystanders. If you are having difficulty securing a load, make sure your cargo control equipment is in working order, or readjust or reposition your load. W.L.L. ratings and strength standards for chain are in compliance with National Association of Chain Manufacturers (NACM) Welded Steel Chain Specifications. Do not exceed W.L.L. ratings.

Floor Chain Tiedown



PP5011

Heavy Duty, Use 3/8" G70 Chain
 Working Load Limit: 6,600 lbs.
 Breaking Strength: 18,000 lbs.
 Weight: 3.0 lbs./1.4 kgs.

Paramount Products' Floor Chain Tiedown is for use on steel frame flatbed trailers. It is a self-storing, convenient anchor point for securing loads. It welds to a trailer cross member and mounts flush with the trailer deck to prevent interference during loading or unloading.

Flame Cut Hook

Flame Cut hooks are flame cut from 5/8" steel and can be welded flat on trucks. Accept D-rings, web loops, cable or rope. Meets CHP anchorage requirements when properly secured.



PP5013
C Hook

W.L.L.: 6,670lbs./3,032 kgs.
Breaking Strength: 20,000lbs./ 9,075 kgs.

PP5014
J Hook

PP5015
Special J & C Hook

PP5016
5/8" Large Size Flame Cut Chook

NOTE: Minimum welding requirements are 1/4" fillet weld, around entire contact surface, and 1/8" penetration.

Coil Rack

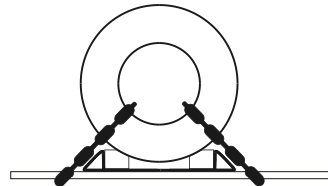
Paramount Products' Coil Racks are made of one-piece construction to provide the support that you require. D.O.T regulations require the securement of metal coils. If you are using wooded blocks or chocks, coil racks or bunks are required to prevent them from coming loose.



PP5250
Light Duty Coil Rack, E-coating Black
Weight: 4.6 lbs./2.1 kgs.



PP5252
Heavy Duty Coil Rack, Oiled
Weight: 14.9 lbs./6.7 kgs.



Rubber Tie Downs

Paramount Products' Rubber Tie Downs are constructed for high ozone resistance and stretch resiliency. They are designed to secure tarps on trucks and trailers. They are not to be used to secure cargo. They stretch to twice their length. The hooks are crimped to prevent their loss. Quantity 50 per box.



Item No.	Material	Strap Length	Overall Length
PP5301	Natural Rubber	10"	14"
PP5302	Nature Rubber	15"	19"
PP5303	Nature Rubber	21"	25"
PP5304	Nature Rubber	31"	35"
PP5305	Nature Rubber	41"	45"
PP5311	EPDM	10"	14"
PP5312	EPDM	15"	19"
PP5313	EPDM	21"	25"
PP5314	EPDM	31"	35"
PP5315	EPDM	41"	45"

Paramount Products' EPDM synthetic rubber tarp straps are the finest available anywhere. They resist deterioration from destructive U/V rays and provide the ultimate in durable, long-lasting performance.

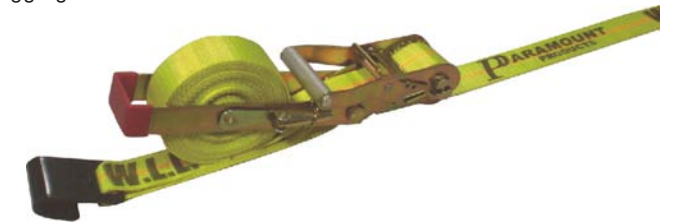
Warning: Rubber Tie Downs have a strong spring force and if they come unhooked while in use can cause serious injury. Safety glasses are strongly recommended.

Strap Winders



PP2712
Strap Saver, For 2" Webbing
Weight: 1.2 lbs./0.57 kgs.

Substantial improvement on Tie-Down Strap. Easy and quick assembly to your current 2" ratchet buckle, Safely secure the excess web from dragging behind the trailer.



PP2610
Steel Strap Winder, Black
Weight: 2.2 lbs./1.0 kgs.

PP2611
Winch Strap Winder
Weight: 0.6 lbs./0.3 kgs.



Easily & Quickly Recoils Straps
Save More Time

Corner Protectors

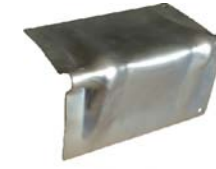
Paramount Products' Rugged Corner Protectors offer high performance. These sturdy protectors prevent abrasion of cargo and cargo securing straps. Protect your strap investment by putting Paramount Products' Corner Protectors on all loads.



PP5225
Plastic Corner Protector for 2" or 4" Webbing
Weight: 0.26 lbs./0.12 kgs.



PP5226
14" Plastic Corner Protector for 4" Webbing
Weight: 0.4 lbs./0.18 kgs.



PP5227
5" Steel Corner Protector for Webbing
Weight: 1.5 lbs./0.68 kgs.



PP5228
Steel Corner Protector for Chain
Weight: 1.2 lbs./0.52 kgs.



PP5229
13 1/2" Steel Corner Protector
Weight: 1.9 lbs./0.88 kgs.



PP5230
Rubber Corner Protector for 2" Web
Weight: 0.4 lbs./0.18 kgs.



PP5231
Rubber Corner Protector for 3" & 4" Web
Weight: 0.6 lbs./0.28 kgs.



PP5240
Tarp Guard Corner Protector
Weight: 0.17 lbs./0.08 kgs.

All **Paramount Products'** Winch Straps combine heavy duty wear and weather resistant synthetic webbing with strong, dependable attachment hardware to give you a strap that meets the demands of flatbed operations and exceeds the standards set by the WSTDA and the Department of Transportation. All Winch Straps can be supplied with a loop end for permanent attachment to winch mandrels. Company logos can be added to all straps as always if you do not see a strap that you use, we will be happy to custom make one to your specifications. We offer all types of attachment hardware, and synthetic webbing in Nylon and Polyester.

Heavy Duty Winch Straps

	PP6702 2" X 27' PP6712 2" X 30' End Fitting: PP5003 Chain Anchor Webbing: PP8203 W.L.L.: 3,335 lbs./1,513kgs.		PP6704 2" X 27' PP6714 2" X 30' End Fitting: PP2161 Delta Ring Webbing: PP8203 W.L.L.: 3,335 lbs./1,513kgs.
	PP6706 2" X 27' PP6716 2" X 30' End Fitting: PP2018 Flat Hook Webbing: PP8203 W.L.L.: 3,335 lbs./1,513kgs.		PP6710 2" X 27' PP6720 2" X 30' End Fitting: PP2308 Wire Hook Webbing: PP8203 W.L.L.: 3,335 lbs./1,513kgs.
	PP6722 3" X 27' PP6728 3" X 30' End Fitting: PP5002 Chain Anchor Webbing: PP8301 W.L.L.: 5,000 lbs./2,270kgs.		PP6723 3" X 27' PP6729 3" X 30' End Fitting: PP5004 Grab Hook Webbing: PP8301 W.L.L.: 5,000 lbs./2,270kgs.
	PP6724 3" X 27' PP6730 3" X 30' End Fitting: PP5008 Delta Ring Webbing: PP8301 W.L.L.: 5,000 lbs./2,270kgs.		PP6726 3" X 27' PP6732 3" X 30' End Fitting: PP2012 Flat Hook Webbing: PP8301 W.L.L.: 5,000 lbs./2,270kgs.
	PP6734 4" X 27' PP6744 4" X 30' End Fitting: PP5002 Chain Anchor Webbing: PP8401 W.L.L.: 5,400 lbs./2,450kgs.		PP6735 4" X 27' PP6745 4" X 30' End Fitting: PP5004 Grab Hook Webbing: PP8401 W.L.L.: 5,400 lbs./2,450kgs.
	PP6736 4" X 27' PP6746 4" X 30' End Fitting: PP5009 Delta Ring Webbing: PP8401 W.L.L.: 5,400 lbs./2,450kgs.		PP6738 4" X 27' PP6748 4" X 30' End Fitting: PP2026 Flat Hook Webbing: PP8401 W.L.L.: 5,400 lbs./2,450kgs.
	PP6740 4" X 27' PP6750 4" X 30' End Fitting: Sewn Loop Webbing: PP8401 W.L.L.: 5,400 lbs./2,450kgs.		PP6742 4" X 27' PP6752 4" X 30' End Fitting: PP2320 Wire Hook Webbing: PP8401 W.L.L.: 5,400 lbs./2,450kgs.

Warning: Do not use strap if there are signs of cut or damaged webbing. Do not attempt to use strap above rated capacity. Winch Straps must be protected when used on rough or sharp objects. We recommend using Corner Protectors where there are corners to secure. Remember, All Winch Straps are only as strong as their weakest link. Working load requirements should be evaluated before choosing the appropriate Winch Strap. Strap strength may be reduced if load path is not in a straight line.

Emerald Webbing Heavy Duty Winch Straps

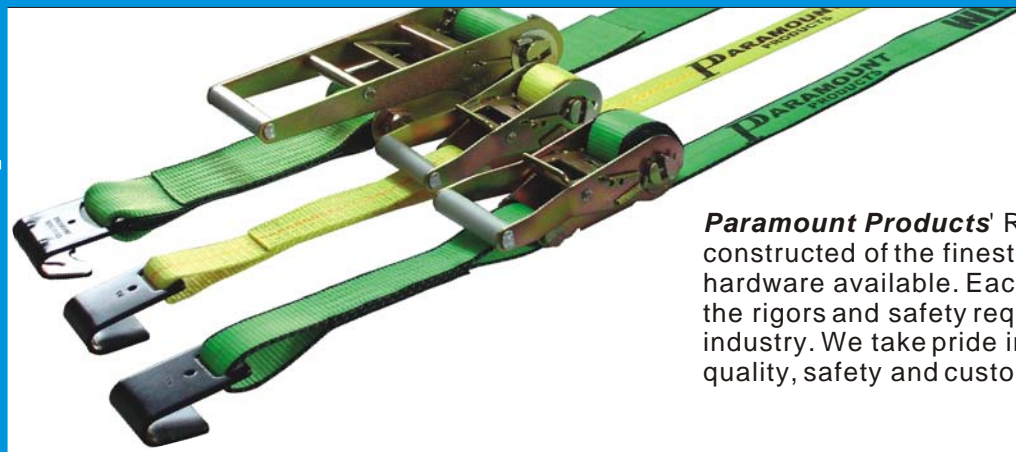
When your cargo application demands high strength with high performance to match, **Paramount Products'** Emerald Webbing answers the call. It provides additional anti-fray protection with a rugged and durable black edging with 60% strength retention after abrasion testing.

	PP6716E6-GN 2" X 30' End Fitting: PP2018 Flat Hook Webbing: PP8203E6-GN W.L.L.: 3,335 lbs./1,513kgs.		PP6720E6-GN 2" X 30' End Fitting: PP2308 Wire Hook Webbing: PP8203E6-GN W.L.L.: 3,335 lbs./1,513kgs.
	PP6728E6-GN 3" X 30' End Fitting: PP5002 Chain Anchor Webbing: PP8301E6-GN W.L.L.: 5,400 lbs./2,450kgs.		PP6732E6-GN 3" X 30' End Fitting: PP2012 Flat Hook Webbing: PP8301E6-GN W.L.L.: 5,400 lbs./2,450kgs.
	PP6734E6-GN 4" X 27' PP6744E6-GN 4" X 30' End Fitting: PP5002 Chain Anchor Webbing: PP8401E6-GN W.L.L.: 5,400 lbs./2,450kgs.		PP6736E6-GN 4" X 27' PP6746E6-GN 4" X 30' End Fitting: PP5009 Delta Ring Webbing: PP8401E6-GN W.L.L.: 5,400 lbs./2,450kgs.
	PP6738E6-GN 4" X 27' PP6748E6-GN 4" X 30' End Fitting: PP2026 Flat Hook Webbing: PP8401E6-GN W.L.L.: 5,400 lbs./2,450kgs.		PP6742E6-GN 4" X 27' PP6752E6-GN 4" X 30' End Fitting: PP2320 Wire Hook Webbing: PP8401E6-GN W.L.L.: 5,400 lbs./2,450kgs.

Roll-Off Container Straps

To provide for compliance with DOT standard 49CFR section 393.134, this hook is suitable for connecting the bottom rails of the standard roll-on/roll-off waste container.

	PP7330 3" X 5' End Fitting: PP2230 Roll-Off Hook Webbing: PP8301 W.L.L.: 5,000 lbs./2,270kgs.
	PP7332 4" X 4' End Fitting: PP2230 Roll-Off Hook Webbing: PP8401 W.L.L.: 5,400 lbs./2,450kgs.



Paramount Products' Ratchet Straps are constructed of the finest webbing, ratchets, and hardware available. Each strap is designed to meet the rigors and safety requirements of the cargo control industry. We take pride in setting the standards for quality, safety and customer service.

2" Heavy Duty Ratchet Straps



PP6202 2" X 27'
PP6214 2" X 30'

Buckle: PP1020 Ratchet
End Fitting: PP5003 Chain Anchor
Webbing: PP8203
W.L.L.: 3,335 lbs./1,513kgs.



PP6204 2" X 27'
PP6216 2" X 30'

Buckle: PP1020 Ratchet
End Fitting: PP2161 Delta Ring
Webbing: PP8203
W.L.L.: 3,335 lbs./1,513kgs.



PP6206 2" X 27'
PP6218 2" X 30'

Buckle: PP1020 Ratchet
End Fitting: PP2018 Flat Hook
Webbing: PP8203
W.L.L.: 3,335 lbs./1,513kgs.



PP6208 2" X 27'
PP6220 2" X 30'

Buckle: PP1020 Ratchet
End Fitting: PP2313 Twisted Snap Hook
Webbing: PP8203
W.L.L.: 3,335 lbs./1,513kgs.



PP6212 2" X 27'
PP6224 2" X 30'

Buckle: PP1020 Ratchet
End Fitting: PP2308 Wire Hook
Webbing: PP8203
W.L.L.: 3,335 lbs./1,513kgs.

3 Different Ratchets Available



PP1015 Long & Wide Handle

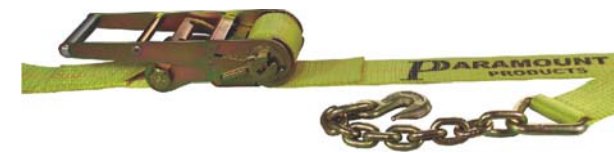


PP1020 Wide Handle



PP1027 Standard Handle

3" Heavy Duty Ratchet Straps



PP6302 3" X 27'
PP6308 3" X 30'

Buckle: PP1030 Ratchet
End Fitting: PP5002 Chain Anchor
Webbing: PP8301
W.L.L.: 5,400 lbs./2,450kgs.



PP6304 3" X 27'
PP6310 3" X 30'

Buckle: PP1030 Ratchet
End Fitting: PP2012 Flat Hook
Webbing: PP8301
W.L.L.: 5,400 lbs./2,450kgs.



PP6306 3" X 27'
PP6312 3" X 30'

Buckle: PP1030 Ratchet
End Fitting: PP2320 Wire Hook
Webbing: PP8301
W.L.L.: 5,400 lbs./2,450kgs.



PP6307 3" X 27'
PP6313 3" X 30'

Buckle: PP1030 Ratchet
End Fitting: PP5004 Grab Hook
Webbing: PP8301
W.L.L.: 5,400 lbs./2,450kgs.

4" Heavy Duty Ratchet Straps



PP6402 4" X 27'
PP6410 4" X 30'

Buckle: PP1040 Ratchet
End Fitting: PP5002 Chain Anchor
Webbing: PP8401
W.L.L.: 5,400 lbs./2,450kgs.



PP6404 4" X 27'
PP6412 4" X 30'

Buckle: PP1040 Ratchet
End Fitting: PP5009 Delta Ring
Webbing: PP8402
W.L.L.: 6,600 lbs./3,000kgs.



PP6406 4" X 27'
PP6414 4" X 30'

Buckle: PP1040 Ratchet
End Fitting: PP2026 Flat Hook
Webbing: PP8401
W.L.L.: 5,400 lbs./2,450kgs.



PP6408 4" X 27'
PP6416 4" X 30'

Buckle: PP1040 Ratchet
End Fitting: PP2320 Wire Hook
Webbing: PP8402
W.L.L.: 6,600 lbs./3,000kgs.

2" Emerald Webbing Heavy Duty Ratchet Straps



- PP6202E6-GN 2" X 27'** Buckle: PP1020 Ratchet
End Fitting: PP5003 Chain Anchor
- PP6214E6-GN 2" X 30'** Webbing: PP8203E6-GN
W.L.L.: 3,335 lbs./1,513kgs.
- PP6206E6-GN 2" X 27'** Buckle: PP1020 Ratchet
End Fitting: PP2018 Flat Hook
- PP6218E6-GN 2" X 30'** Webbing: PP8203E6-GN
W.L.L.: 3,335 lbs./1,513kgs.
- PP6208E6-GN 2" X 27'** Buckle: PP1020 Ratchet
End Fitting: PP2313 Twisted Snap Hook
- PP6220E6-GN 2" X 30'** Webbing: PP8203E6-GN
W.L.L.: 3,335 lbs./1,513kgs.
- PP6212E6-GN 2" X 27'** Buckle: PP1020 Ratchet
End Fitting: PP2308 Wire Hook
- PP6224E6-GN 2" X 30'** Webbing: PP8203E6-GN
W.L.L.: 3,335 lbs./1,513kgs.

Ratchet Strap Replacements

Ratchet Strap Adjustable End Replacements

Item No.	End Fitting	Webbing	Length
PP6900	PP5003	PP8203	25'
PP6902	PP2018	PP8203	25'
PP6904	PP2161	PP8203	25'
PP6906	PP2308	PP8203	25'
PP6908	PP5003	PP8203	28'
PP6910	PP2018	PP8203	28'
PP6912	PP2161	PP8203	28'
PP6914	PP2308	PP8203	28'
PP6950	PP5002	PP8301	25'
PP6951	PP5004	PP8301	25'
PP6952	PP5008	PP8301	25'
PP6954	PP2012	PP8301	25'
PP6956	PP2320	PP8301	25'
PP6958	PP5002	PP8301	28'
PP6959	PP5004	PP8301	28'
PP6960	PP5008	PP8301	28'
PP6962	PP2012	PP8301	28'
PP6964	PP2320	PP8301	28'
PP6975	PP5002	PP8401	25'
PP6977	PP5004	PP8401	25'
PP6979	PP5009	PP8401	25'
PP6981	PP2026	PP8401	25'
PP6983	Sewn Loop	PP8401	25'
PP6985	PP2320	PP8401	25'
PP6987	PP5002	PP8401	28'
PP6989	PP5004	PP8401	28'
PP6991	PP5009	PP8401	28'
PP6993	PP2026	PP8401	28'
PP6995	Sewn Loop	PP8401	28'
PP6997	PP2320	PP8401	28'

Ratchet Strap Fixed End Replacements

Item No.	Buckle	End Fitting	Webbing
PP7000	PP1020	PP5003	PP8203
PP7002	PP1020	PP2018	PP8203
PP7004	PP1020	PP2161	PP8203
PP7006	PP1020	PP2308	PP8203
PP7050	PP1030	PP5002	PP8301
PP7052	PP1030	PP5008	PP8301
PP7054	PP1030	PP2012	PP8301
PP7056	PP1030	PP2320	PP8301
PP7075	PP1040	PP5002	PP8401
PP7077	PP1040	PP5004	PP8401
PP7079	PP1040	PP5009	PP8401
PP7081	PP1040	PP2026	PP8401
PP7083	PP1040	Sewn Loop	PP8401
PP7085	PP1040	PP2320	PP8401
PP7002-NR	-	PP2018	PP8203
PP7054-NR	-	PP2012	PP8301
PP7081-NR	-	PP2026	PP8401

Item No.	End Fitting	Webbing	Length
PP6900E6-GN	PP5003	PP8203E6-GN	25'
PP6902E6-GN	PP2018	PP8203E6-GN	25'
PP6904E6-GN	PP2161	PP8203E6-GN	25'
PP6906E6-GN	PP2308	PP8203E6-GN	25'
PP6908E6-GN	PP5003	PP8203E6-GN	28'
PP6910E6-GN	PP2018	PP8203E6-GN	28'
PP6912E6-GN	PP2161	PP8203E6-GN	28'
PP6914E6-GN	PP2308	PP8203E6-GN	28'
PP6950E6-GN	PP5002	PP8301E6-GN	25'
PP6952E6-GN	PP5008	PP8301E6-GN	25'
PP6954E6-GN	PP2012	PP8301E6-GN	25'
PP6956E6-GN	PP2320	PP8301E6-GN	25'
PP6958E6-GN	PP5002	PP8301E6-GN	28'
PP6960E6-GN	PP5008	PP8301E6-GN	28'
PP6962E6-GN	PP2012	PP8301E6-GN	28'
PP6964E6-GN	PP2320	PP8301E6-GN	28'
PP6975E6-GN	PP5002	PP8401E6-GN	25'
PP6977E6-GN	PP5004	PP8401E6-GN	25'
PP6979E6-GN	PP5009	PP8401E6-GN	25'
PP6981E6-GN	PP2026	PP8401E6-GN	25'
PP6983E6-GN	Sewn Loop	PP8401E6-GN	25'
PP6985E6-GN	PP2320	PP8401E6-GN	25'
PP6987E6-GN	PP5002	PP8401E6-GN	28'
PP6989E6-GN	PP5004	PP8401E6-GN	28'
PP6991E6-GN	PP5009	PP8401E6-GN	28'
PP6993E6-GN	PP2026	PP8401E6-GN	28'
PP6995E6-GN	Sewn Loop	PP8401E6-GN	28'
PP6997E6-GN	PP2320	PP8401E6-GN	28'

Item No.	Buckle	End Fitting	Webbing
PP7000E6-GN	PP1020	PP5003	PP8203E6-GN
PP7002E6-GN	PP1020	PP2018	PP8203E6-GN
PP7004E6-GN	PP1020	PP2161	PP8203E6-GN
PP7006E6-GN	PP1020	PP2308	PP8203E6-GN
PP7050E6-GN	PP1030	PP5002	PP8301E6-GN
PP7052E6-GN	PP1030	PP5008	PP8301E6-GN
PP7054E6-GN	PP1030	PP2012	PP8301E6-GN
PP7056E6-GN	PP1030	PP2320	PP8301E6-GN
PP7075E6-GN	PP1040	PP5002	PP8401E6-GN
PP7077E6-GN	PP1040	PP5004	PP8401E6-GN
PP7079E6-GN	PP1040	PP5009	PP8401E6-GN
PP7081E6-GN	PP1040	PP2026	PP8401E6-GN
PP7083E6-GN	PP1040	Sewn Loop	PP8401E6-GN
PP7085E6-GN	PP1040	PP2320	PP8401E6-GN
PP7002E6-NR	-	PP2018	PP8203E6-GN
PP7054E6-NR	-	PP2012	PP8301E6-GN
PP7081E6-NR	-	PP2026	PP8401E6-GN

3" Emerald Webbing Heavy Duty Ratchet Straps



- PP6302E6-GN 3" X 27'** Buckle: PP1030 Ratchet
End Fitting: PP5002 Chain Anchor
- PP6308E6-GN 3" X 30'** Webbing: PP8301E6-GN
W.L.L.: 5,400 lbs./2,450kgs.
- PP6304E6-GN 3" X 27'** Buckle: PP1030 Ratchet
End Fitting: PP2012 Flat Hook
- PP6310E6-GN 3" X 30'** Webbing: PP8301E6-GN
W.L.L.: 5,400 lbs./2,450kgs.
- PP6306E6-GN 3" X 27'** Buckle: PP1030 Ratchet
End Fitting: PP2320 Wire Hook
- PP6312E6-GN 3" X 30'** Webbing: PP8301E6-GN
W.L.L.: 5,400 lbs./2,450kgs.
- PP6307E6-GN 3" X 27'** Buckle: PP1030 Ratchet
End Fitting: PP5004 Grab Hook
- PP6313E6-GN 3" X 30'** Webbing: PP8301E6-GN
W.L.L.: 5,400 lbs./2,450kgs.

4" Emerald Webbing Heavy Duty Ratchet Straps



- PP6402E6-GN 4" X 27'** Buckle: PP1040 Ratchet
End Fitting: PP5002 Chain Anchor
- PP6410E6-GN 4" X 30'** Webbing: PP8401E6-GN
W.L.L.: 5,400 lbs./2,450kgs.
- PP6404E6-GN 4" X 27'** Buckle: PP1040 Ratchet
End Fitting: PP5009 Delta Ring
- PP6412E6-GN 4" X 30'** Webbing: PP8401E6-GN
W.L.L.: 5,400 lbs./2,450kgs.
- PP6406E6-GN 4" X 27'** Buckle: PP1040 Ratchet
End Fitting: PP2026 Flat Hook
- PP6414E6-GN 4" X 30'** Webbing: PP8401E6-GN
W.L.L.: 5,400 lbs./2,450kgs.
- PP6408E6-GN 4" X 27'** Buckle: PP1040 Ratchet
End Fitting: PP2320 Wire Hook
- PP6416E6-GN 4" X 30'** Webbing: PP8401E6-GN
W.L.L.: 5,400 lbs./2,450kgs.

Paramount Products' Utility Straps offer versatility and security in a wide range of light to medium duty cargo control applications. All straps are constructed of the finest webbing, cam buckles, and hardware available.

1" HD Utility Tiedowns with PP1003 Ratchet

	PP6102	1" X 10'	Buckle: PP1003 Ratchet End Fitting: PP2301 Wire Hook & PP2406 D-Ring Webbing: PP8103-BU W.L.L.: 1,000 lbs./454kgs.
	PP6109	1" X 16'	
	PP6105	1" X 16'	Buckle: PP1003 Ratchet End Fitting: PP2301 Wire Hook Webbing: PP8103-BU W.L.L.: 880 lbs./400kgs.
	PP6106	1" X 20'	
	PP6108	1" X 10'	Buckle: PP1003 Ratchet End Fitting: PP2301 Wire Hook Webbing: PP8103-BU W.L.L.: 1,000 lbs./454kgs.
	PP6110	1" X 16'	
	PP6112	1" X 20'	

1" LD Utility Tiedowns with PP1004 Ratchet

	PP6130	1" X 9'	Buckle: PP1004 Ratchet End Fitting: PP2518S-Hook Webbing: PP8105-BK W.L.L.: 500 lbs./227kgs.
	PP6135	1" X 15'	

1" Utility Tiedowns with PP1205 Cam Buckle

	PP6502	1" X 6'	Buckle: PP1205 CamBuckle End Fitting: PP2516S-Hook Webbing: PP8103-BU W.L.L.: 450 lbs./205kgs.
	PP6504	1" X 9'	
	PP6506	1" X 15'	
	PP6508	1" X 12'	Buckle: PP1205 CamBuckle End Fitting: PP2301 Wire Hook Webbing: PP8103-BU W.L.L.: 450 lbs./205kgs.

Paramount Products' Logistic Straps are strong, fast connect straps designed to secure any load inside trailers with Series A, E or F Track fitting requirements. With durable Cam or Ratchet Buckles and cut-resistant webbing in several lengths, our logistic tie downs will give you effective control of your light to medium loads. Assemblies come with polyester webbing unless you wish to incorporate one of **Paramount's** other webbing options.

Lengths are color coded:

12' Length Yellow Webbing 16' Length Gray Webbing 20' Length Blue Webbing

Ratchet Buckle Logistic Straps

	PP6610	12'	Buckle: PP1026 Ratchet End Fitting: PP5126 Spring E Fitting Webbing: PP8201 W.L.L.: 1,000 lbs./1,513kgs.
	PP6612	16'	
	PP6614	20'	
	PP6616	12'	Buckle: PP1026 Ratchet End Fitting: PP51303-Piece E Fitting Webbing: PP8201 W.L.L.: 1,000 lbs./1,513kgs.
	PP6618	16'	
	PP6620	20'	
	PP6622	12'	Buckle: PP1026 Ratchet End Fitting: PP5122 Butterfly Fitting Webbing: PP8201 W.L.L.: 500 lbs./230kgs.
	PP6624	16'	
	PP6626	20'	
	PP6628	12'	Buckle: PP1026 Ratchet End Fitting: PP2312 Wire Hook Webbing: PP8201 W.L.L.: 500 lbs./230kgs.
	PP6630	16'	
	PP6632	20'	
	PP6634	12'	Buckle: PP1026 Ratchet End Fitting: PP5118 F Hook Webbing: PP8201 W.L.L.: 735 lbs./335kgs.
	PP6636	16'	
	PP6638	20'	
	PP6660	12'	Buckle: PP1026 Ratchet End Fitting: PP5126 Spring E Fitting & PP2312 Wire Hook Webbing: PP8201 W.L.L.: 500 lbs./230kgs.
	PP6661	16'	
	PP6662	20'	

Cam Buckle Logistic Straps

	PP6639 12'		Buckle: PP1203 CamBuckle End Fitting: PP5126 Spring E Fitting Webbing: PP8201 W.L.L.: 833 lbs./380kgs.
	PP6640 16'		
	PP6641 20'		
	PP6642 12'		Buckle: PP1203 CamBuckle End Fitting: PP5122 Butterfly Fitting Webbing: PP8201 W.L.L.: 500 lbs./230kgs.
	PP6643 16'		
	PP6644 20'		
	PP6645 12'		Buckle: PP1203 CamBuckle End Fitting: PP5130 3-Piece E Fitting Webbing: PP8201 W.L.L.: 833 lbs./380kgs.
	PP6646 16'		
	PP6647 20'		
	PP6648 12'		Buckle: PP1203 CamBuckle End Fitting: PP2312 Wire Hook Webbing: PP8201 W.L.L.: 500 lbs./230kgs.
	PP6649 16'		
	PP6650 20'		
	PP6651 12'		Buckle: PP1203 CamBuckle End Fitting: PP5118 F Hook Webbing: PP8201 W.L.L.: 735 lbs./335kgs.
	PP6652 16'		
	PP6653 20'		
	PP6663 12'		Buckle: PP1203 CamBuckle End Fitting: PP5126 Spring E Fitting & PP2312 Wire Hook Webbing: PP8201 W.L.L.: 500 lbs./230kgs.
	PP6664 16'		
	PP6665 20'		

Warning: Series E, A or F fittings are designed for use with Logistic Track. Load ratings may be reduced when used with other tracks or if the track fitting is not positively engaged. Your cargo control system is only as strong as its weakest link. All ratings for series E and A fittings are based on use with 11 gauge track.

Series E or A Aluminum Beams



PP4200 Aluminum Decking Beam, Adjustable From 84.6"-95" Weight: 17.9 lbs. /8.1 kgs.
PP4202 Aluminum Decking Beam, Adjustable From 91.9"-102.3" Weight: 18.8 lbs. /8.5 kgs.
 Decking Working Load Limit: 2,200 lbs. /1,000 kgs.
 Shoring Working Load Limit: 2,000 lbs. /910 kgs.



PP4204 HD Aluminum Decking Beam, Adjustable From 84.6"-95" Weight: 21.6 lbs. /9.8 kgs.
PP4206 HD Aluminum Decking Beam, Adjustable From 91.9"-102.3" Weight: 22.6 lbs. /10.3 kgs.
 Decking Working Load Limit: 3,000 lbs. /1,360 kgs.
 Shoring Working Load Limit: 2,500 lbs. /1,135 kgs.

Series E or A Steel Beams



PP4210 Steel Decking Beam, Adjustable From 85"-96" Weight: 25.7 lbs. /11.7 kgs.
PP4208 Steel Decking Beam, Adjustable From 92.1"-103" Weight: 27.3 lbs. /12.4 kgs.
 Decking Working Load Limit: 2,000 lbs /910 kg
 Shoring Working Load Limit: 1,350 lbs /613 kg

Beam Parts & Accessories



PP5132
Decking Beam Head for Aluminum Beam



PP5134
Decking Beam Head for Steel Beam



PP5136
Attached Pin for Aluminum Decking Beam



PP5138
Attached Pin for Steel Decking Beam



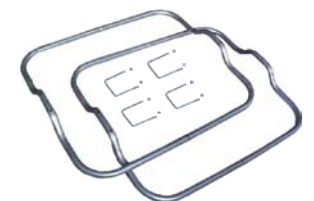
PP5140
Trigger Repair Kit for Aluminum Beam Head



PP5142
Trigger Repair Kit for Steel Beam Head



PP5127
E-Key Fitting



PP4240
Hoop Sets for Aluminum Decking Beam
29.5" x 34"

Cargo Bars



PP4002 Standard Aluminum Cargo Bar with 4"x2" Foot, Adjusts from 90"-105" Weight: 9.2 lbs. / 4.18 kgs.

PP4004 Standard Steel Cargo Bar with 4"x2" Foot, Adjusts from 90"-105" Weight: 12.3 lbs. / 5.6 kgs.

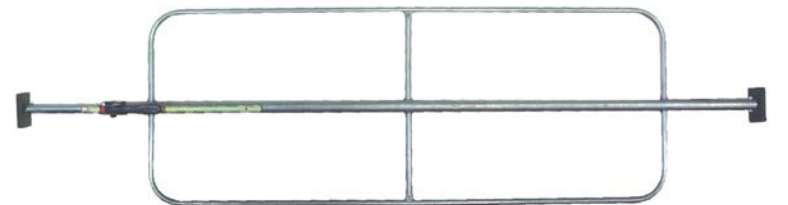


PP4002ST PP4002 w/ Stamping Rack, Housing & Handle Assembly Weight: 9.0 lbs. / 4.08 kgs.

PP4004ST PP4004 w/ Stamping Rack, Housing & Handle Assembly Weight: 12.1 lbs. / 5.5 kgs.



PP4006 Standard Steel Cargo Bar w/ Welded Hoop Set, 4"x2" Foot, Adjusts from 90"-105" Weight: 15.7 lbs. / 7.1 kgs.



PP4006ST PP4006 w/ Stamping Rack, Housing & Handle Assembly Weight: 15.4 lbs. / 7.0 kgs.

Cargo Bar Parts



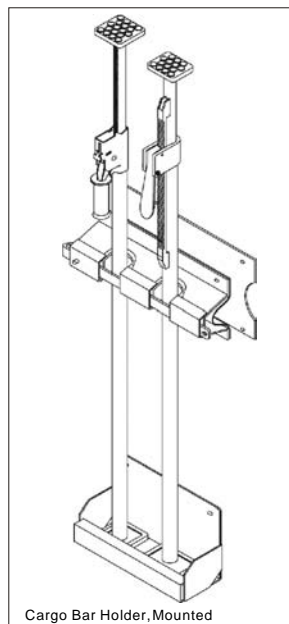
PP4060
Handle, Rack & Housing Assembly



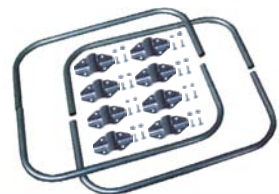
PP4060ST
Stamping Rack, Housing & Handle Assembly



2"x4" Rubber Foot
PP4051 For Large Tube
PP4052 For Small Tube



Cargo Bar Holder, Mounted



PP4080
Bolt-on Hoop Set for Cargo Bar
24" x 29"



PP4070
Cargo Bar Holder For 2 Bars

Jack Bars



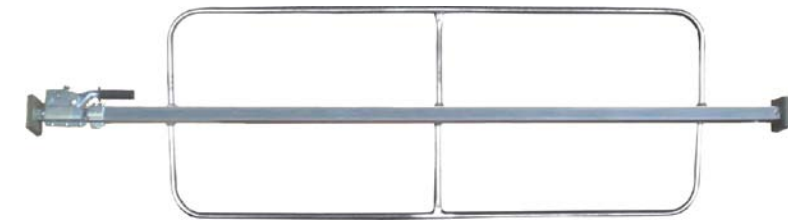
PP4102 Steel Jack Bar w/27" Stem, 4"x4" Foot, Round Tubing, Adjusts from 86"-104" Weight: 15.8 lbs. / 7.2 kgs.

PP4122 Steel Jack Bar w/37" Stem, 4"x4" Foot, Round Tubing, Adjusts from 86"-114" Weight: 16.5 lbs. / 7.5 kgs.



PP4110 HD Steel Jack Bar w/27" Stem, 4"x4" Foot, Square Tubing, Adjusts from 86"-104" Weight: 16.7 lbs. / 7.6 kgs.

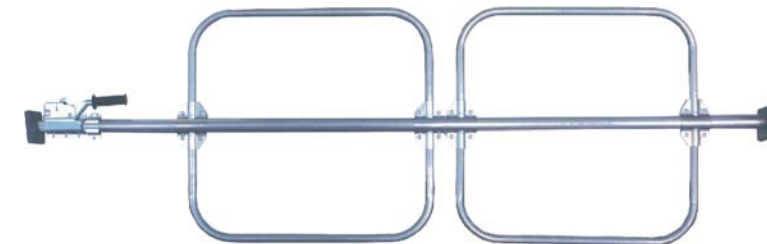
PP4130 HD Steel Jack Bar w/37" Stem, 4"x4" Foot, Square Tubing, Adjusts from 86"-114" Weight: 17.4 lbs. / 7.9 kgs.



PP4104 Steel Jack Bar w/27" Stem, Welded Hoop Set, 4"x4" Foot, Round Tubing, Adjusts from 86"-104" Weight: 23.7 lbs. / 10.8 kgs.

PP4112 HD Steel Jack Bar w/27" Stem, Welded Hoop Set, 4"x4" Foot, Square Tubing, Adjusts from 86"-104" Weight: 24.7 lbs. / 11.2 kgs.

PP4132 HD Steel Jack Bar w/37" Stem, Welded Hoop Set, 4"x4" Foot, Square Tubing, Adjusts from 86"-114" Weight: 25.4 lbs. / 11.5 kgs.



PP4105 Steel Jack Bar w/27" Stem & Movable Hoop Set, 4"x4" Foot, Round Tubing, Adjusts from 86"-104" Weight: 23.7 lbs. / 10.8 kgs.

PP4113 HD Steel Jack Bar w/27" Stem & Movable Hoop Set, 4"x4" Foot, Square Tubing, Adjusts from 86"-104" Weight: 24.7 lbs. / 11.2 kgs.

PP4133 HD Steel Jack Bar w/37" Stem & Movable Hoop Set, 4"x4" Foot, Square Tubing, Adjusts from 86"-114" Weight: 25.4 lbs. / 11.5 kgs.



PP4114 2 Piece Type HD Steel Jack Bar w/27" Stem, 4"x4" Foot, Square Tubing, Adjusts from 86"-104" Weight: 18 lbs. / 8.2 kgs.

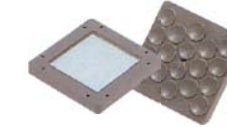
Jack Bar Parts



Jack Assembly
PP4160 w/ 27" stem
PP4162 w/ 37" stem



4"x4" Rubber Foot
PP4151 For Large Tube
PP4152 For Small Tube



PP4153
Weld-on Foot Pad 4"x4"



PP4164
Bolt-on Hoop Set for Round Tube Jack Bar
24" x 29"

PP4180
Bolt-on Hoop Set for Square Tube Jack Bar
24" x 29"

Paramount Products' Logistic Track is designed to provide the attachment point for all interior van cargo control systems. It will accept all end fittings, sockets, beams, and bars designed to use E, A, or F Track. Lengths not listed are available with special order quantities. Track may be attached by screws, rivets or welding.

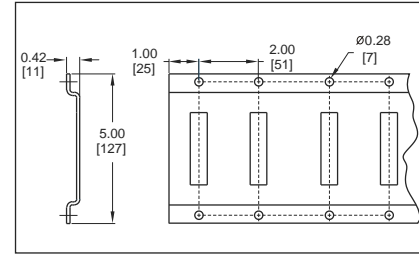
Series A Logistic Track



Series A Logistic Track Horizontal

Material: High strength steel; 12 Gauge
Minimum Yield: 50,000 psi.

- PP4400**
Length: 5 ft./1.5 m
Finish: Galvanized
Weight: 7.7 lbs./3.5 kgs.
- PP4405**
Length: 10 ft./3 m
Finish: Galvanized
Weight: 15.5 lbs./7.0 kgs.
- PP4410**
Length: 5 ft./1.5 m
Finish: Paint Green
Weight: 7.7 lbs./3.5 kgs.
- PP4415**
Length: 10 ft./3 m
Finish: Paint Green
Weight: 15.5 lbs./7.0 kgs.

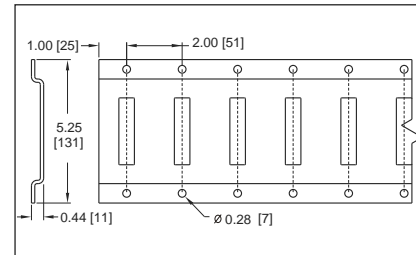


HD Series A Logistic Track Horizontal

Material: High strength steel; 11 Gauge
Minimum Yield: 50,000 psi.



- PP4416**
Length: 5 ft./1.5 m
Finish: Galvanized
Weight: 9.6 lbs./4.4 kgs.
- PP4417**
Length: 10 ft./3 m
Finish: Galvanized
Weight: 18.5 lbs./8.4 kgs.
- PP4418**
Length: 5 ft./1.5 m
Finish: Paint Green
Weight: 9.6 lbs./4.4 kgs.
- PP4419**
Length: 10 ft./3 m
Finish: Paint Green
Weight: 18.5 lbs./8.4 kgs.

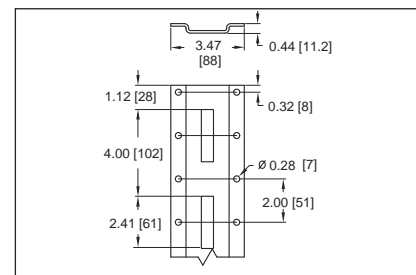


Series A Logistic Track Vertical

Material: High strength steel; 11 Gauge
Minimum Yield: 50,000 psi.



- PP4420**
Length: 5 ft./1.5 m
Finish: Galvanized
Weight: 6.6 lbs./3.0 kgs.
- PP4425**
Length: 10 ft./3 m
Finish: Galvanized
Weight: 13.0 lbs./5.9 kgs.
- PP4430**
Length: 5 ft./1.5 m
Finish: Paint Green
Weight: 6.6 lbs./3.0 kgs.
- PP4435**
Length: 10 ft./3 m
Finish: Paint Green
Weight: 13.0 lbs./5.9 kgs.

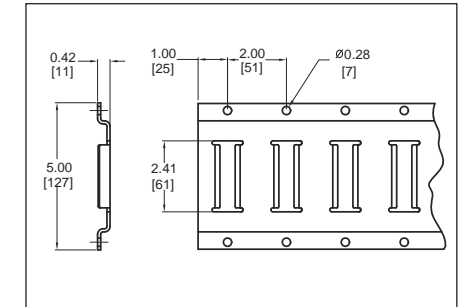
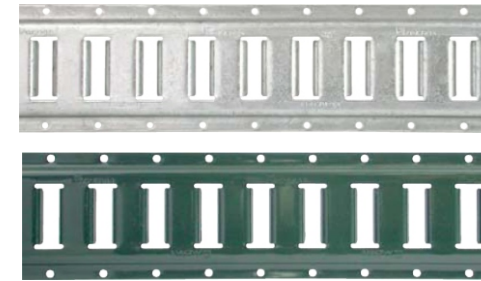


Series E Logistic Track

Series E Logistic Track Horizontal

Material: High strength steel; 12 Gauge
Minimum Yield: 50,000 psi.

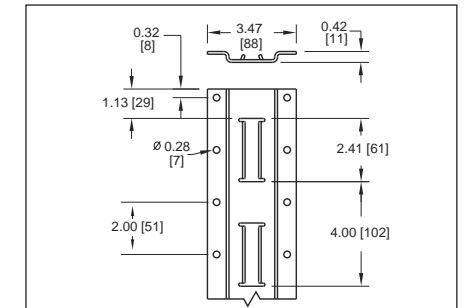
- PP4440**
Length: 5 ft./1.5 m
Finish: Galvanized
Weight: 8.0 lbs./3.6 kgs.
- PP4445**
Length: 10 ft./3 m
Finish: Galvanized
Weight: 16.2 lbs./7.26 kgs.
- PP4450**
Length: 5 ft./1.5 m
Finish: Paint Green
Weight: 8.0 lbs./3.6 kgs.
- PP4455**
Length: 10 ft./3 m
Finish: Paint Green
Weight: 16.2 lbs./7.26 kgs.



Series E Logistic Track Vertical

Material: High strength steel; 11 Gauge
Minimum Yield: 50,000 psi.

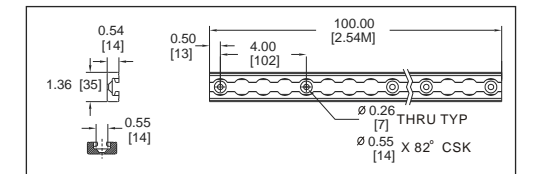
- PP4460**
Length: 5 ft./1.5 m
Finish: Galvanized
Weight: 6.5 lbs./3.0 kgs.
- PP4465**
Length: 10 ft./3 m
Finish: Galvanized
Weight: 13.0 lbs./5.9 kgs.
- PP4470**
Length: 5 ft./1.5 m
Finish: Paint Green
Weight: 6.5 lbs./3.0 kgs.
- PP4475**
Length: 10 ft./3 m
Finish: Paint Green
Weight: 13.0 lbs./5.9 kgs.



Series L Aluminum Logistic Track

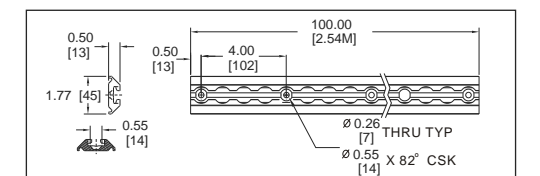
Series L Aluminum Track, Square Edges

- PP4490** without Mounting Holes
- PP4491** with Mounting Holes
Length: 100 in./2.54 m
Weight: 5.0 lbs./2.3 kgs.



Series L Aluminum Track, Angled Edges

- PP4495** without Mounting Holes
- PP4496** with Mounting Holes
Length: 100 in./2.54 m
Weight: 5.2 lbs./2.4 kgs.



Accessories



Stake Pocket Anchors

PP5025 3-1/4"
PP5026 4-1/2"



PP5101

Standard Wood Beam Socket
530 lbs. WLL



PP5102

Heavy Duty Wood Beam Socket
1,000 lbs. WLL



PP5110

D Surface Pan Fitting, Zinc Plated
1,600 lbs. WLL



PP5114

Lashing Ring w/Bolt-on Clip, Zinc Plated



PP5144

Pan Fitting w/D-Ring & Black Plastic Collar
200 lbs. WLL



PP5145

Pan Fitting w/D-Ring & Square Steel Collar
200 lbs. WLL



PP5146

Pan Fitting w/D-Ring & Steel Collar
200 lbs. WLL



PP2670

Series L Single Stud Fitting w/Ring
1,333 lbs. WLL (0° Vertical)
1,000 lbs. WLL (45° Pull Angle)
1,000 lbs. WLL (0° Horizontal Pull Angle)



PP5112

Rope Tie-off w/ Spring E Fitting
835 lbs. WLL



PP5112-5130

Rope Tie-off w/ 3-piece Fitting
835 lbs. WLL



PP5112-5122

Rope Tie-off w/ Butterfly Fitting
500 lbs. WLL



Rope Tie-off w/ 1" Track Fitting
670 lbs. WLL

PP5112-5124 2" X 6"
PP5112L8-5124 2" X 8"
PP5112L10-5124 2" X 10"



Door Pull

PP6680 12" Length
PP6681 15" Length



Door Pull Straps

PP6682 18" Length
PP6683 24" Length
PP6684 36" Length

Axle Straps

Paramount Products' Axle Straps are designed to wrap perfectly around your car's rear axle, chassis or other attachment point and provide you a quick and easy anchoring point for holding down your car. They come in a variety of lengths as well as with the optional feature of a protective sleeve.



PP7300 2" X24" Length
PP7304 2" X36" Length
WLL: 3,335 lbs.



PP7302 2" X24" Length, with Sleeve
PP7306 2" X36" Length, with Sleeve
PP7308 2" X44" Length, with Sleeve
WLL: 3,335 lbs.

Wheel Nets

Paramount Products' Wheel Nets with basket configuration gives you the flexibility on adjustment and tire size to secure your vehicle in transport.



PP7310 with PP2018 Flat Hook



PP7312 with PP2310 Wire Hook



PP7314 with PP2133 Twist Snap Hook

Auto Tiedowns



PP7316

Length: 8'
Buckle: PP1020 Ratchet
End Fitting: PP5107 Fitting w/D-Ring & PP2614 Cluster RTJ Hook
Webbing: PP8203
W.L.L.: 2,000 lbs./907kgs.



PP7318

Length: 8'
Buckle: PP1020 Ratchet
End Fitting: PP2133 Twist Snap Hook & PP2261 Stamped Delta Ring
Webbing: PP8203 with Sleeve
W.L.L.: 2,000 lbs./907kgs.



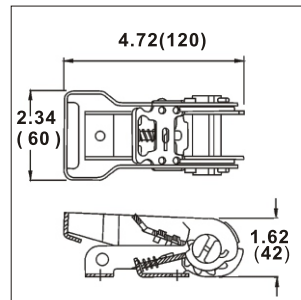
Ratchet Buckles

Paramount Products' Ratchets are perfect for cinching loads tight. The ratchet is frequently used in contractor straps with heavy weight polyester or nylon webbing. Our ratchet buckles are available in 1" to 4" in steel, and stainless steel with a variety of coatings and "Working Load Limits". When closed the ratchet handle locks the latch into the gear to prevent accidental release. Paramount ratchets are available in one or three piece handles in either long, extra long, wide, square, or standard versions, in plastic, steel or aluminum. Our ratchets come with a removable rear bolt and locknut for easy field conversions.



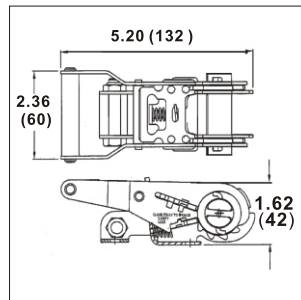
PP1002

1" HD Ratchet w/Sq. Handle, w/Bolt & Nut
WLL: 1,466 lbs.
Weight: 0.77 lbs./0.35kgs.



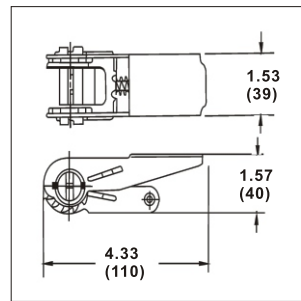
PP1003

1" HD Ratchet w/Steel Bar Handle, w/Bolt & Nut
WLL: 1,466 lbs.
Weight: 0.77 lbs./0.35kgs.



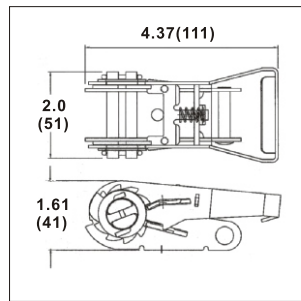
PP1004

1" LD Ratchet, w/1 piece Handle
WLL: 733 lbs.
Weight: 0.53 lbs./0.24kgs.



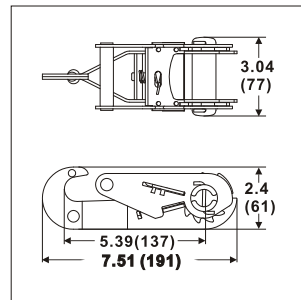
PP1006

1" LD Ratchet w/Sq. Handle
WLL: 733 lbs.
Weight: 0.57 lbs./0.26kgs.



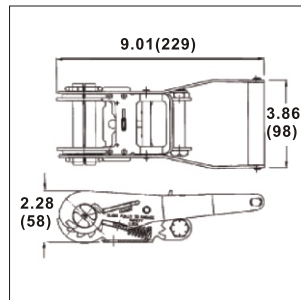
PP1008

1 3/4" Ratchet w/Hook
WLL: 2,000 lbs.
Weight: 1.65 lbs./0.75kgs.



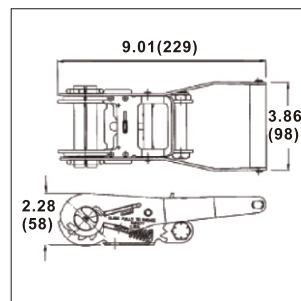
PP1015

2" HD Ratchet w/BigAlu. Grip, Long & Wide Handle, Double Safety Lock
WLL: 3,666 lbs.
Weight: 2.4 lbs./1.1 kgs.



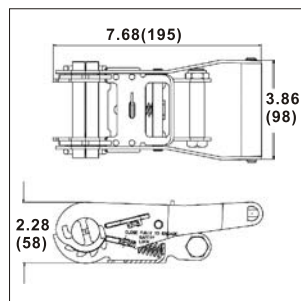
PP1018

2" HD Ratchet w/Plastic Grip, Long & Wide Handle, Double Safety Lock
WLL: 3,666 lbs.
Weight: 2.4 lbs./1.1 kgs.



PP1020

2" HD Ratchet w/BigAlu. Grip, Wide Handle, Double Safety Lock
WLL: 3,666 lbs.
Weight: 2.3 lbs./1.05kgs.

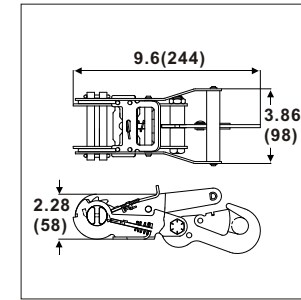


Ratchet Buckles



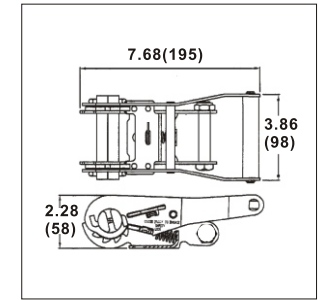
PP1020HK

2" HD Ratchet w/Big Alu. Grip, Wide Handle Double Safety Lock & w/ Hook and Spacers
WLL: 3,666 lbs.
Weight: 3.19 lbs./1.45kgs.



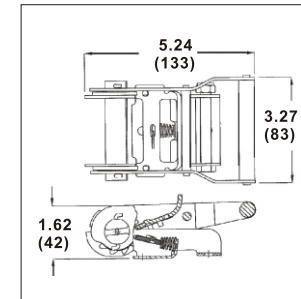
PP1020SS

2" Wide Handle Stainless Steel Ratchet
WLL: 2,933 lbs.
Weight: 2.3 lbs./1.05kgs.



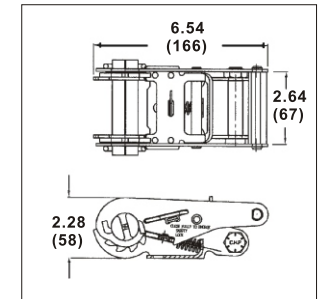
PP1026

2" LD Ratchet w/Wide Handle
WLL: 1,466 lbs.
Weight: 1.1 lbs./0.50kgs.



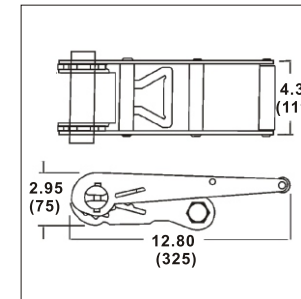
PP1027

2" HD Ratchet w/Alu. Grip, Standard Handle, Double Safety Lock
WLL: 3,666 lbs.
Weight: 2.2 lbs./1.0kgs.



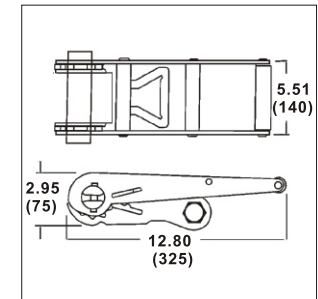
PP1030

3" HD Ratchet w/Long Handle
WLL: 7,333 lbs.
Weight: 6.6 lbs./3.0kgs.



PP1040

4" HD Ratchet w/Long Handle
WLL: 8,800 lbs.
Weight: 8.0 lbs./3.7kgs.



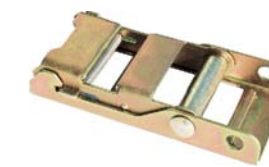
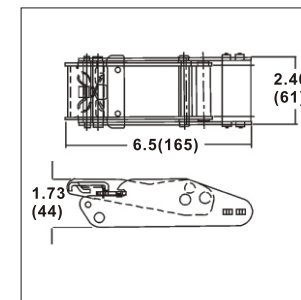
Overcenter Buckles

Paramount Products' Overcenter Buckles have a one-piece steel frame construction for simple, efficient use. When attached to a strap, the webbing provides a pad between the buckle and the secured cargo. In addition to securing cargo in the trucking industry, Paramount Buckles are used for aircraft, marine, automotive, materials handling and military applications.



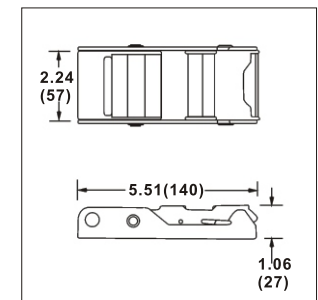
PP1101

1 3/4" Overcenter Buckle
WLL: 2,000 lbs.
Weight: 1.32 lbs./0.6kgs.



PP1102

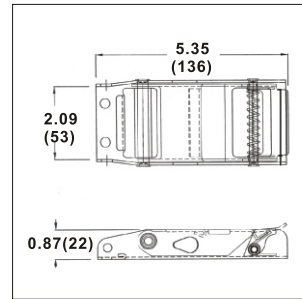
2" Overcenter Buckle
WLL: 1,466 lbs.
Weight: 0.73 lbs./0.33kgs.



Buckles

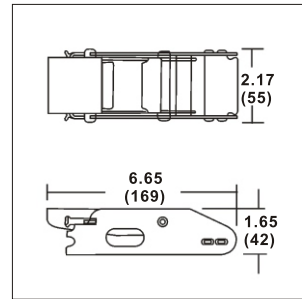
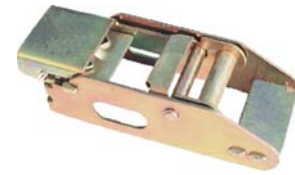
Hooks

Overcenter Buckles



PP1111

2" Overcenter Buckle with Spring Action, Stainless Steel
WLL: 587 lbs.
Weight: 0.8 lbs./0.36 kgs.

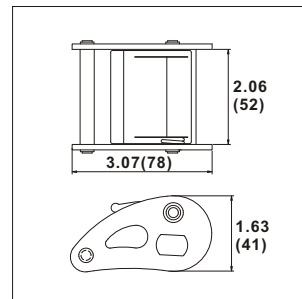


PP1116

1 3/4" Overcenter Buckle
WLL: 1,833 lbs.
Weight: 1.1 lbs./0.50 kgs.

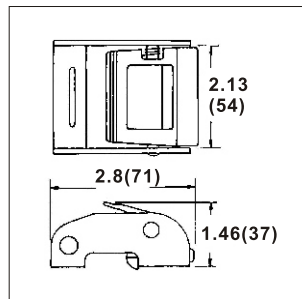
Cam Buckles

Paramount Products' Cam Buckles are manufactured with your exacting specifications and safety in mind. All hardware is fully tested and complies with all applicable regulations. Our Cam Buckles have a one-piece frame design to insure that it will perform to meet your application's requirements.



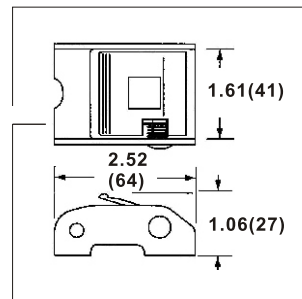
PP1201

2" Cam Buckle
WLL: 835 lbs.
Weight: 0.55 lbs./0.25 kgs.



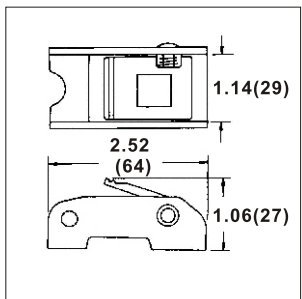
PP1203

2" HD Cam Buckle
833 lbs. WLL
Weight: 0.57 lbs./0.26 kg



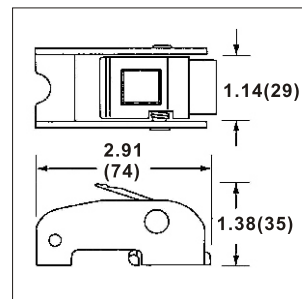
PP1204

1 1/2" HD Cam Buckle
WLL: 660 lbs.
Weight: 0.31 lbs./0.14 kgs.



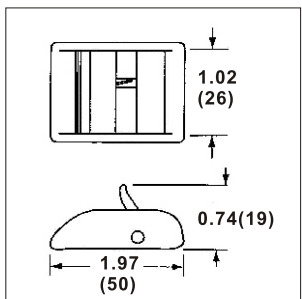
PP1205

1" Cam Buckle
WLL: 450 lbs.
Weight: 0.27 lbs./0.12 kgs.



PP1206

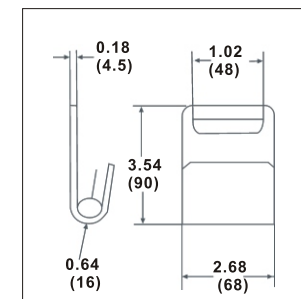
1" HD Cam Buckle
WLL: 583 lbs.
Weight: 0.34 lbs./0.15 kgs.



PP1208

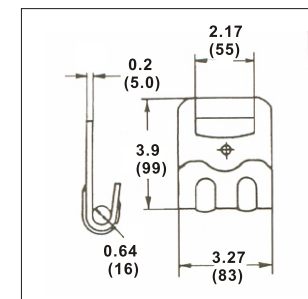
1" Cam Buckle
WLL: 333 lbs.
Weight: 0.13 lbs./0.06 kgs.

Flat Hooks



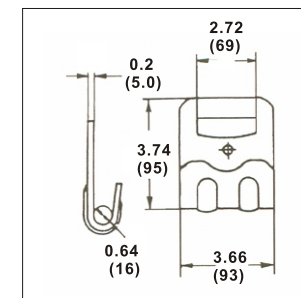
PP2018

2" Flat Hook w/AlumWear Pad, E-Coating, Black
WLL: 3,600 lbs.
Weight: 0.72 lbs./0.33 kgs.



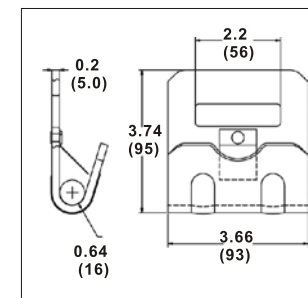
PP2012

3" Flat Hook w/AlumWear Pad, E-Coating, Black
WLL: 5,000 lbs.
Weight: 0.92 lbs./0.42 kgs.



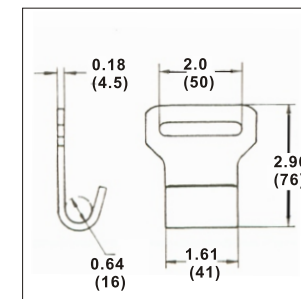
PP2026

4" Flat Hook w/AlumWear Pad, Semi-Round Slot, E-Coating, Black
WLL: 5,400 lbs.
Weight: 1.06 lbs./0.48 kgs.



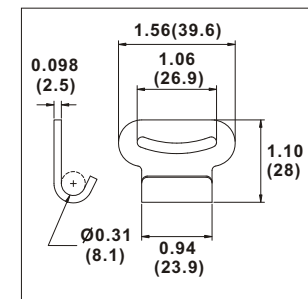
PP2030

4" Flat Hook w/AlumWear Pad, Square Slot and Keeper, E-Coating, Black
WLL: 5,400 lbs.
Weight: 0.99 lbs./0.45 kgs.



PP2040

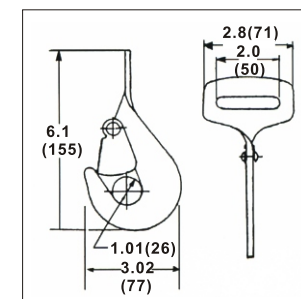
2" Narrow Flat Hook, Yellow Dichromate Zinc Plated
WLL: 2,200 lbs.
Weight: 0.38 lbs./0.17 kg.



PP2045

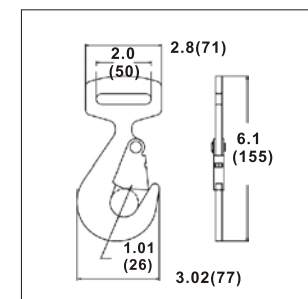
1" Flat Hook, Yellow Dichromate Zinc Plated
WLL: 300 lbs.
Weight: 0.04 lbs./0.02 kgs.

Snap Hooks



PP2131

2" Twisted Snap Hook
WLL: 3,666 lbs.
Weight: 0.66 lbs./0.3 kgs.



PP2132

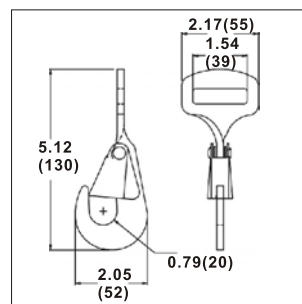
2" Flat Type Snap Hook
WLL: 3,666 lbs.
Weight: 0.66 lbs./0.3 kgs.

Snap Hooks



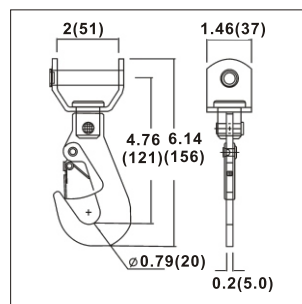
PP2133

1 1/2" Twisted Snap Hook
WLL: 2,200 lbs.
Weight: 0.37 lbs./0.17 kgs.



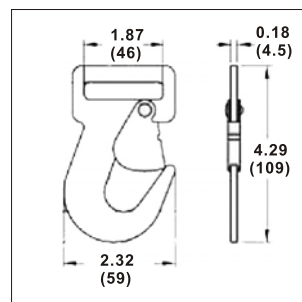
PP2135

1 3/4" Swivel Snap Hook
WLL: 2,566 lbs.
Weight: 0.84 lbs./0.38 kgs.



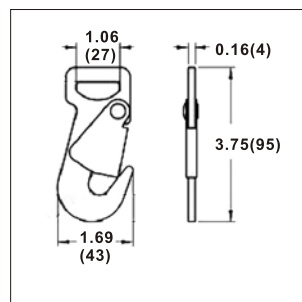
PP2151

2" Flat Snap Hook
WLL: 2,200 lbs.
Weight: 0.35 lbs./0.16 kgs.



PP2152

1" Flat Snap Hook
WLL: 1,666 lbs.
Weight: 0.22 lbs./0.1 kgs.

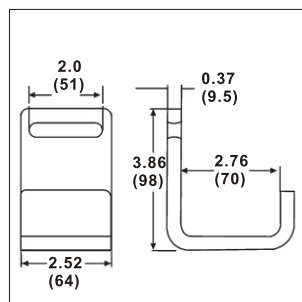


Roll-Off Hook & Cluster RTJ Hook



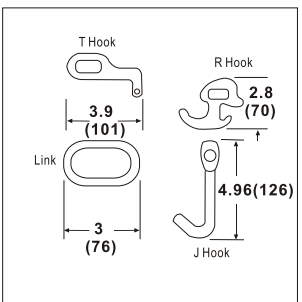
PP2230

Roll-Off Hook, Yellow Zinc Plated
WLL: 5,400 lbs.
Weight: 1.96 lbs./0.89 kgs

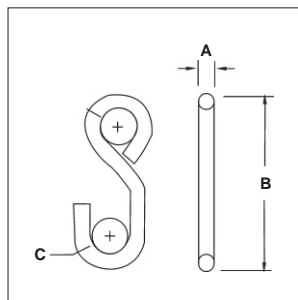


PP2614

Cluster RTJ Hook
WLL: 3900 lbs.
Weight: 2.1 lbs./0.96 kgs.

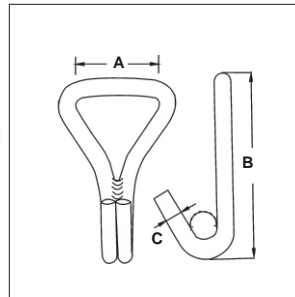


S-Hooks



Item No.	A in. (mm)	B in. (mm)	C in. (mm)	WLL	Weight	Surface
PP2510	0.39(10)	4.72(120)	1.14(29)	881 lbs.	0.33 lbs./0.15 kgs.	Zinc Yellow Plated
PP2512	0.39(10)	4.72(120)	1.14(29)	881 lbs.	0.33 lbs./0.15 kgs.	Vinyl Coated
PP2514	0.33(8.5)	4.17(106)	1.18(30)	660 lbs.	0.19 lbs./0.09 kgs.	Zinc Yellow Plated
PP2516	0.33(8.5)	4.17(106)	1.18(30)	660 lbs.	0.19 lbs./0.09 kgs.	Vinyl Coated
PP2518	0.31(8)	4.25(108)	1.18(30)	500 lbs.	0.19 lbs./0.09 kgs.	Zinc Yellow Plated
PP2520	0.31(8)	4.25(108)	1.18(30)	500 lbs.	0.19 lbs./0.09 kgs.	Vinyl Coated
PP2528	0.47(12)	5.90(150)	1.32(33.6)	1,883 lbs.	0.65 lbs./0.30 kgs.	E-Coating Black

Wire Hooks

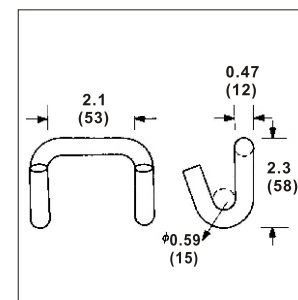


Item No.	A in. (mm)	B in. (mm)	C in. (mm)	WLL	Weight
PP2300	1.06(27)	3.15(80)	0.31(8)	1,100 lbs.	0.25 lbs./0.11 kgs.
PP2301	1.14(29)	2.00(50)	0.25(6.5)	1,166 lbs.	0.10 lbs./0.047 kgs.
PP2302	1.02(26)	2.36(60)	0.27(7)	866 lbs.	0.15 lbs./0.07 kgs.
PP2304	1.53(39)	3.38(86)	0.39(10)	2,200 lbs.	0.37 lbs./0.17 kgs.
PP2306	2.00(51)	3.38(86)	0.47(12)	3,666 lbs.	0.62 lbs./0.28 kgs.
PP2308	2.00(51)	4.21(107)	0.47(12)	3,666 lbs.	0.71 lbs./0.32 kgs.
PP2310	2.00(51)	3.00(76)	0.39(10)	2,200 lbs.	0.40 lbs./0.18 kgs.
PP2312	2.00(51)	2.68(68)	0.27(7)	500 lbs.	0.20 lbs./0.09 kgs.
PP2314	2.00(51)	3.60(91)	0.31(8)	1,466 lbs.	0.29 lbs./0.13 kgs.
PP2320	3.00(76)	4.76(121)	0.62(16)	7,333 lbs.	1.61 lbs./0.73 kgs.



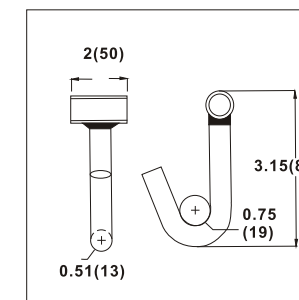
PP2316

2" Open Wire Hook
WLL: 3,666 lbs.
Weight: 0.44 lbs./0.2 kgs.



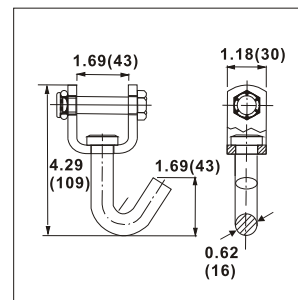
PP2318

2" Tube Hook
WLL: 2,200 lbs.
Weight: 0.42 lbs./0.19 kgs



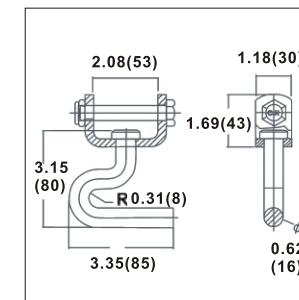
PP2322

2" Swivel "J" Hook w/Bolt & Nut
WLL: 3,666 lbs.
Weight: 0.91 lbs./0.41 kgs.



PP2324

2" Swivel "J" Hook w/Bolt & Nut
WLL: 2,200 lbs.
Weight: 1.21 lbs./0.55 kgs.

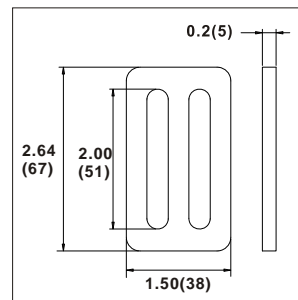


Slide Buckle & Adjuster



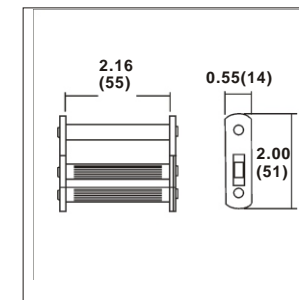
PP2227

2" 3-Bar Web Adjuster
WLL: 2,200 lbs.
Weight: 0.14 lbs./0.065 kgs.



PP1113

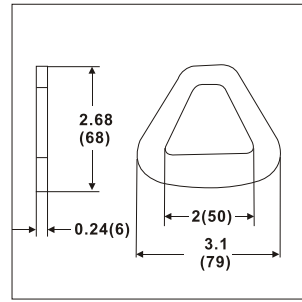
2" Slide Buckle, Zinc Plated
WLL: 165 lbs.
Weight: 0.21 lbs./0.095 kgs.



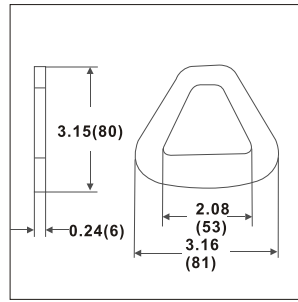
D-Rings



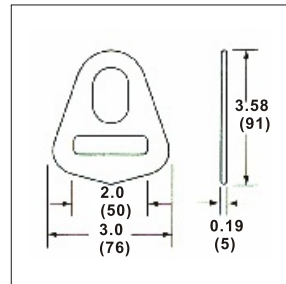
PP2161
2" HD Stamped Delta Ring
WLL: 3,600 lbs.
Weight: 0.25 lbs./0.12 kgs



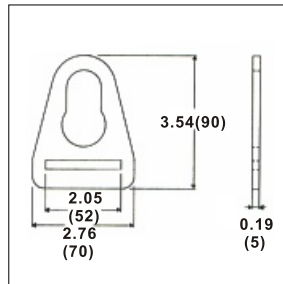
PP2165
2" HD Stamped Delta Ring w/Steel Wear Pad
WLL: 3,600 lbs.
Weight: 0.33 lbs./0.15 kgs.



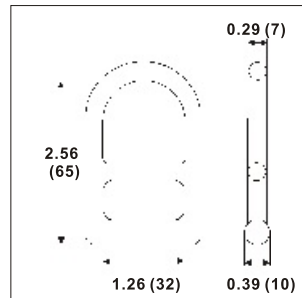
PP2170
2" Flat Delta Ring
WLL: 5,400 lbs.
Weight: 0.28 lbs./0.13 kgs



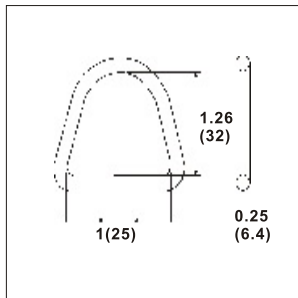
PP2172
2" Flat Calabash Hook
WLL: 5,400 lbs.
Weight: 0.27 lbs./0.12 kgs



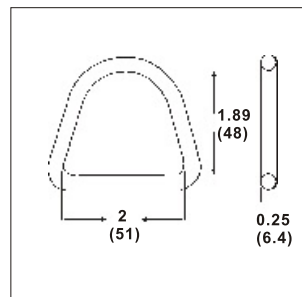
PP2612
1" Forged D-Ring
WLL: 2,100 lbs.
Weight: 0.19 lbs./0.09 kgs.



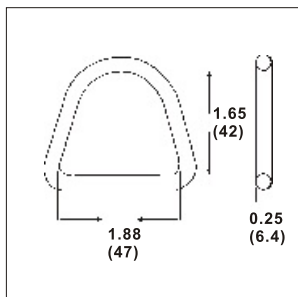
PP2406
1" HD Wire D-Ring
WLL: 2,200 lbs.
Weight: 0.07 lbs./0.03 kgs.



PP2408
2" Wire D-Ring
WLL: 1,833 lbs.
Weight: 0.10 lbs./0.045 kgs.



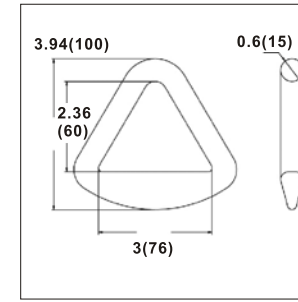
PP2410
1 3/4" Wire D-Ring
WLL: 1,466 lbs.
Weight: 0.09 lbs./0.42 kgs.



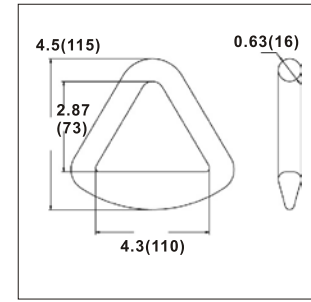
Forged Delta Rings



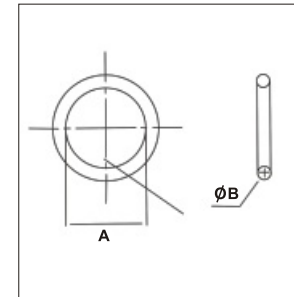
PP5008
3" HD Forged Delta Ring
WLL: 6,000 lbs.
Weight: 0.88 lbs./0.4 kgs.



PP5009
4" HD Forged Delta Ring
WLL: 6,600 lbs.
Weight: 1.21 lbs./0.55 kgs.



Round-Rings

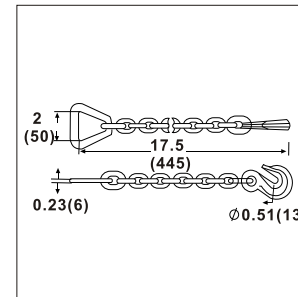


Item No.	A in. (mm)	B in. (mm)	WLL	Weight
PP2450	1.73(44)	0.28(7.2)	1,700 lbs.	0.12 lbs./0.053 kgs.
PP2452	2.04(52)	0.39(10)	3,333 lbs.	0.27 lbs./0.12 kgs.
PP2454	2.00(50)	0.25(6.4)	1,833 lbs.	0.10 lbs./0.045 kgs.
PP2456	3.00(76)	0.28(7.2)	1,700 lbs.	0.18 lbs./0.08 kgs.

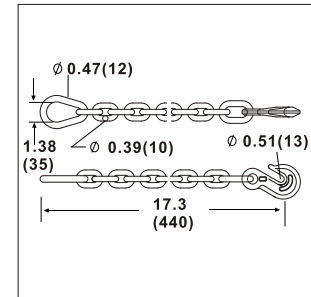
Chain Anchors



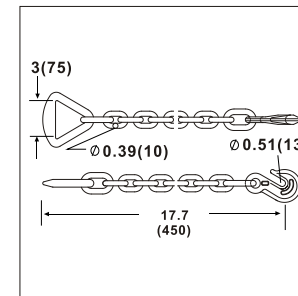
PP5003
18" Chain Anchor w/2" Delta Ring, Yellow Dichromate Zinc Plating
WLL: 3,335 lbs.
Weight: 2.3 lbs./1.05 kgs.



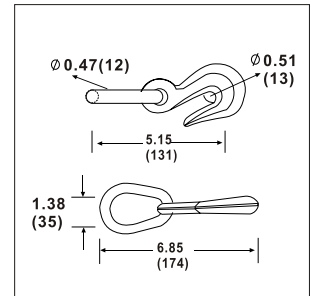
PP5001
18" Chain Anchor w/Pear Link, Yellow Dichromate Zinc Plating
WLL: 5,400 lbs.
Weight: 2.92 lbs./1.33 kgs.



PP5002
18" Chain Anchor w/3" Forged Delta Ring, Yellow Dichromate Zinc Plating
WLL: 5,400 lbs.
Weight: 3.6 lbs./1.63 kgs.

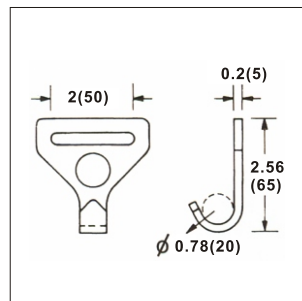


PP5004
3/8" Grab Hook w/Pear Link, Yellow Dichromate Zinc Plating
WLL: 5,400 lbs.
Weight: 1.32 lbs./0.6 kgs.

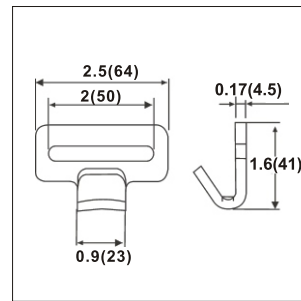




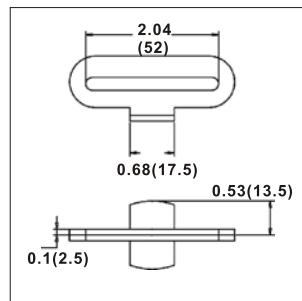
PP5118
2" F Track Hook
WLL: 730 lbs.
Weight: 0.19 lbs./0.09kgs.



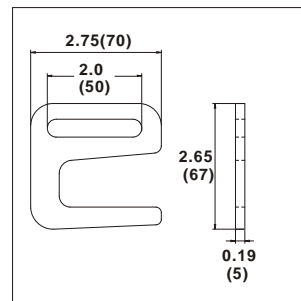
PP5120
2" Short Narrow Flat Hook
WLL: 333 lbs.
Weight: 0.18 lbs./0.08kgs.



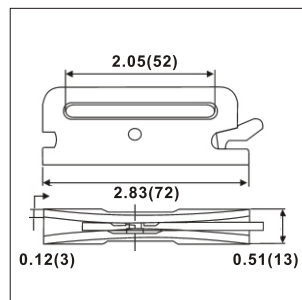
PP5122
Series F Track Fitting For 3/4" Hole
WLL: 500 lbs.
Weight: 0.13 lbs./0.06kgs.



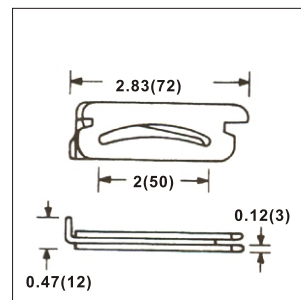
PP2166
2" Slat Hook
WLL: 1,000 lbs.
Weight: 0.21 lbs./0.095kgs.



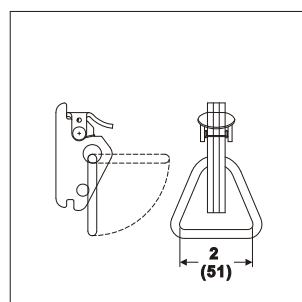
PP5126
2" Spring Loaded A and E Track Fitting
WLL: 1,600 lbs.
Weight: 0.20 lbs./0.09kgs.



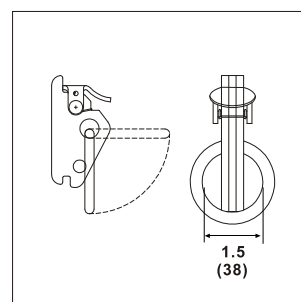
PP5130
3-Piece E and A Track Fitting
WLL: 1,000 lbs.
Weight: 0.16 lbs./0.073kgs.



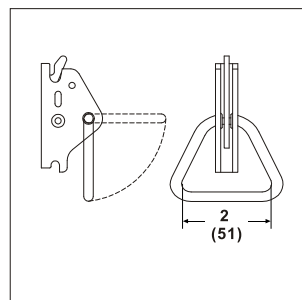
PP5105
2" E & A Fitting w/D-Ring
WLL: 2,000 lbs.
Weight: 0.51 lbs./0.23kgs.



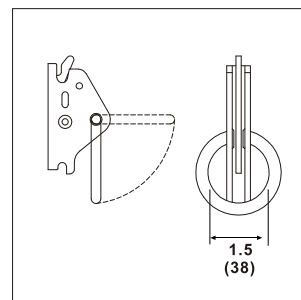
PP5106
2" E & A Fitting w/O-Ring
WLL: 2,000 lbs.
Weight: 0.48 lbs./0.22kgs.



PP5107
E & A Fitting w/D-Ring
WLL: 1,666 lbs.
Weight: 0.35 lbs./0.16kgs.



PP5108
E & A Fitting w/O-Ring
WLL: 1,666 lbs.
Weight: 0.33 lbs./0.15kgs.



General Webbing

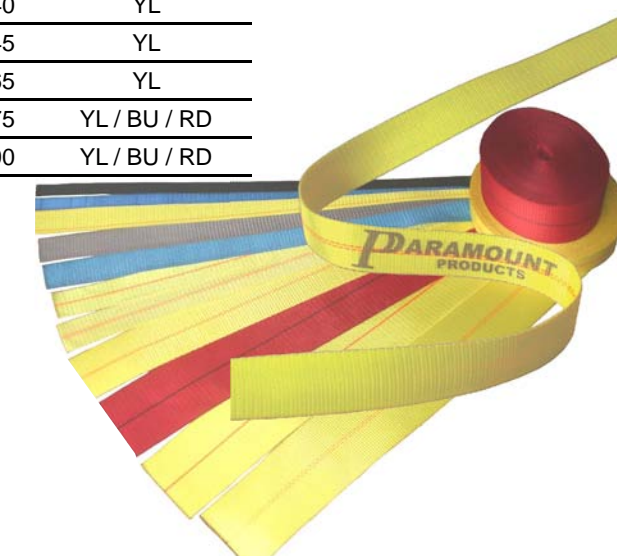
Paramount Products' Polyester Webbing is most popular due to its cost, high-strength, and resistance to abrasion. Polyester is also best in acid environments.

Item No.	Width		Working Load Limit		Breaking Strength		Stocked Colors Code
	in.	mm.	lbs.	kgs.	lbs.	kgs.	
PP8101-XX	1	25	500	227	1,500	681	BK / BU / RD
PP8102-XX	1	25	840	380	2,500	1,135	BK / BU / RD
PP8103-XX	1	25	1,500	681	4,500	2,045	BK / BU / RD
PP8104-XX	1	25	2,000	910	6,000	2,725	BK / BU / RD
PP8105-XX	1	25	667	303	2,000	910	BK / BU / RD
PP8201-XX	2	50	2,000	910	6,000	2,725	YL / GY / BU
PP8202-XX	2	50	3,335	1,515	10,000	4,540	YL
PP8203-XX	2	50	4,000	1,815	12,000	5,445	YL
PP8301-XX	3	75	6,000	2,725	18,000	8,165	YL
PP8401-XX	4	100	6,670	3,030	20,000	9,075	YL / BU / RD
PP8402-XX	4	100	8,000	3,630	24,000	10,890	YL / BU / RD

XX: indicates Stocked Colors Code

- BK --- Black
- BU --- Blue
- GY --- Gray
- GN --- Green
- OD --- Olive Drab
- OG --- Orange
- PL --- Purple
- RD --- Red
- WT --- White
- YL --- Yellow

Place the color code after part number to specify color.



Paramount Emerald Webbing

Paramount Products' Emerald Webbing offers high strength and high performance in a 60% rating, and is now available in an 80% rating with the new Emerald XD (Xtreme Duty) that delivers additional anti-fray protection with a tough, durable black edging.



Item No.	Width		Working Load Limit		Breaking Strength		Stocked Colors Code
	in.	mm.	lbs.	kgs.	lbs.	kgs.	
PP8203E6-XX	2	50	4,000	1,815	12,000	5,445	GN
PP8301E6-XX	3	75	6,000	2,725	18,000	8,165	GN
PP8401E6-XX	4	100	6,670	3,030	20,000	9,075	GN / YL / BU / RD
PP8402E8-XX	4	100	8,000	3,630	24,000	10,890	GY

E6: indicates 60% strength retaining after abrasion test.
E8: indicates 80% strength retaining after abrasion test.

Note:
Webbing will have a longer life if stored in a dry, dark location. Continuous exposure to ultra-violet light can degrade the strength of synthetic webbing. We can print custom logos on the webbing. All webbing comes standard in 300 ft. rolls.




How to use this catalog.

All of Paramount Products are listed by category. Simply locate the category that best describes the product you are looking for and look at the list below. If you know the Paramount product you are looking for, there is an "Index By Part Number" at the back of the catalog. You will also find general help under the "General Information" section.

If you have any questions about any of our products or there is something that you need and you don't see it in our catalog, please call our Customer Service Department at 214-703-8326 and we'll do everything possible to help you find a solution.

Warranties and Returns.



Paramount Products will accept the return of any product that is faulty or has a defect before purchase. If you have any issues with any of our products, please call customer service at 214-703-8326 and request a Return Authorization Number. Once it is determined that the product has a manufacturer's defect, we will repair or replace the product. This warranty does not apply to any product that has been subject to misuse, abuse, exposure to chemicals or negligence. This limited warranty is in lieu of all other warranties expressed or implied. Synthetic webbing will not be repaired.

NOTE: SPECIFICATIONS IN THIS CATALOG ARE SUBJECT TO CHANGE WITHOUT NOTICE.
ALL DIMENSIONS ARE FOR REFERENCE ONLY AND SUBJECT TO CHANGE WITHOUT NOTICE.

PARAMOUNT PRODUCTS



USA Corporate Headquarters

2750 Oakland Avenue

Garland, TX 75041

Tel: 214-703-8326

Fax: 214-703-8332

www.paramountcargocontrol.com

[e-mail: sales@paramountcargocontrol.com](mailto:sales@paramountcargocontrol.com)

© 2011 Paramount Products USA LLC All Rights Reserved

Catalog No. S11